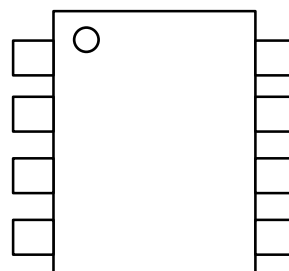
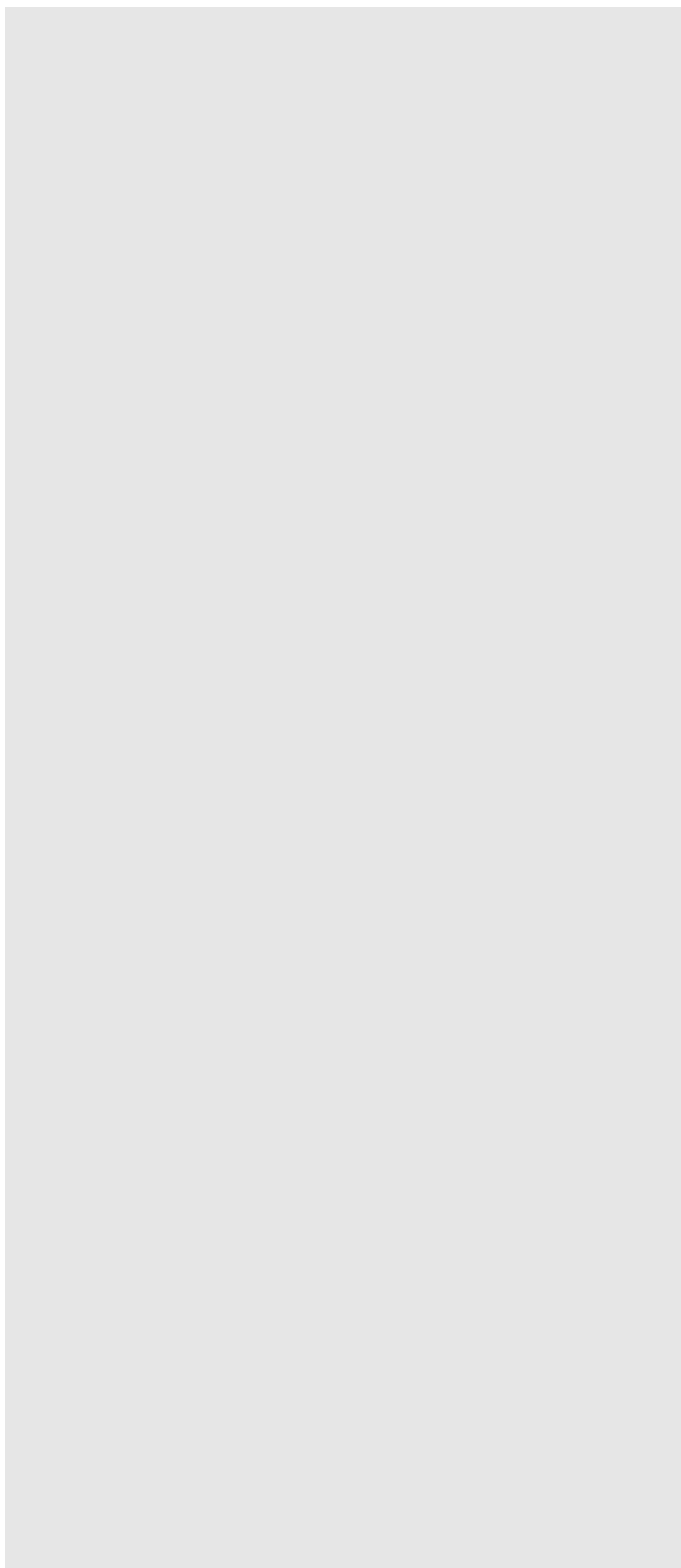
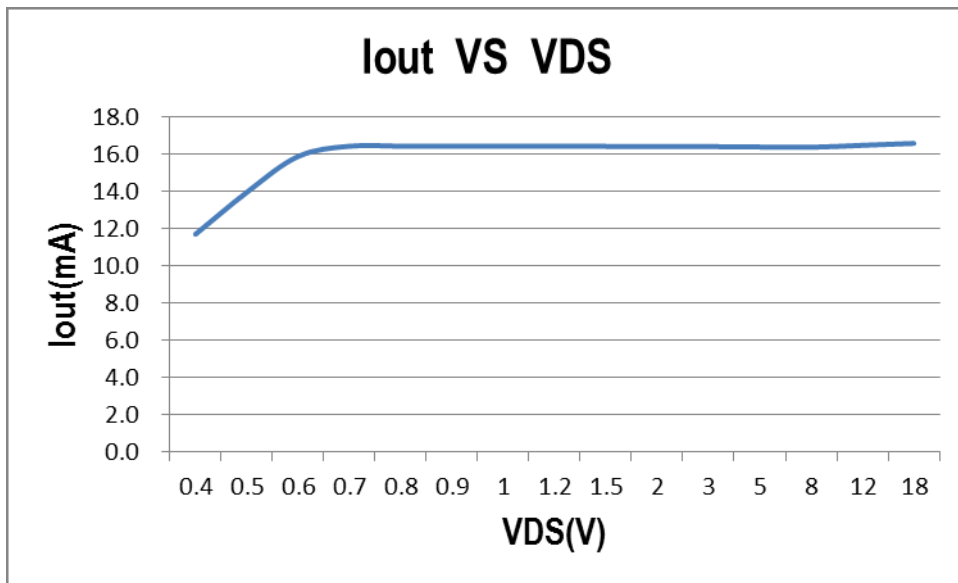


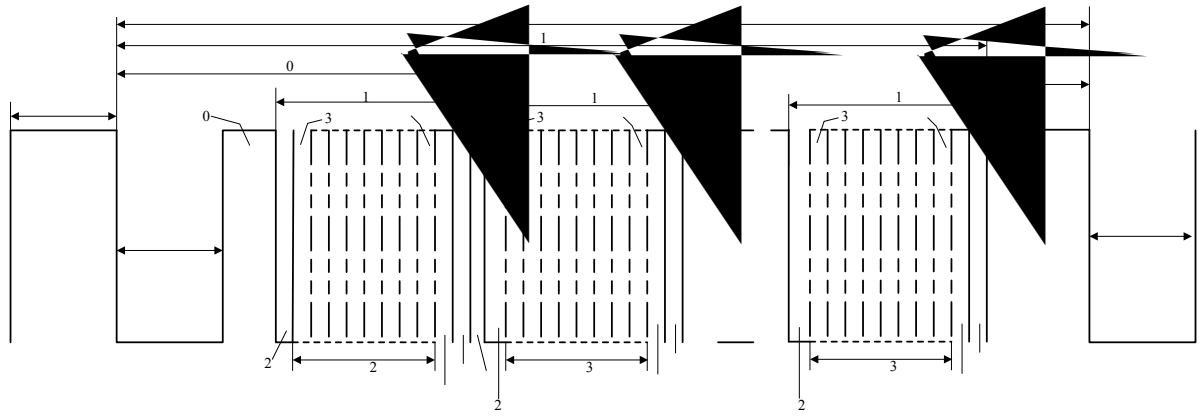
# SM16511PB

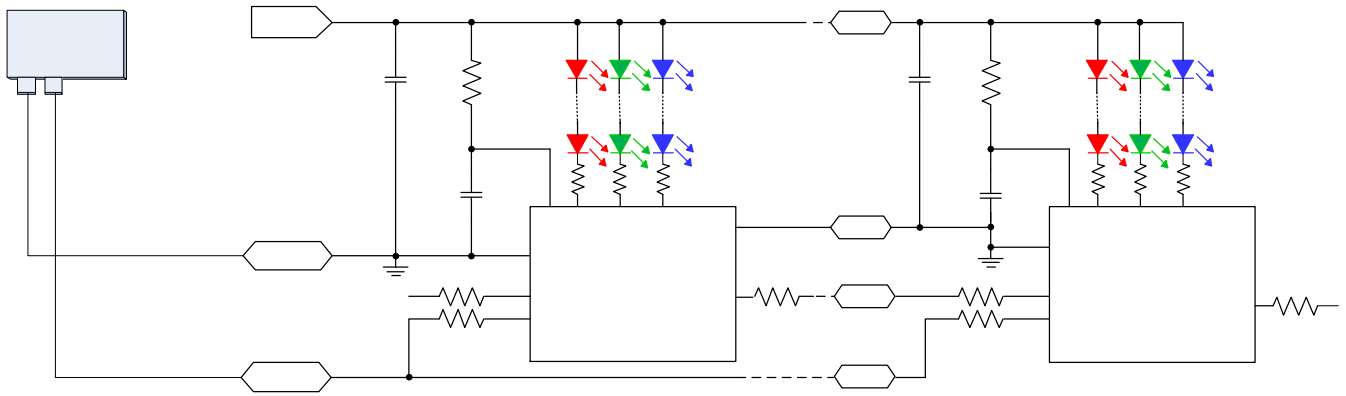











$$R_R \ R_G \ R_B \ \frac{V_{CC} \ N \ V_{LED} \ V_{DS}}{I_{LED}}$$