

3.3V ~ 5.5V

8 PMOS

$I_{OUT\_MAX} = 3.2A @ VDD=5.0V$

$R_{on} = 120m @ I_{OUT}=2A VDD=5.0V$

LED

LED

LED

SOP16

ESD>6KV

LED

LED

LED

SM5166PF LED

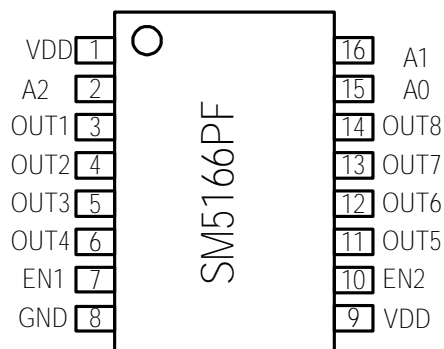
3-8 8

3.2A

OUT1~OUT8

LED

		mm	mm
SM5166PF	SOP16	10.0*3.94*1.45	1.27



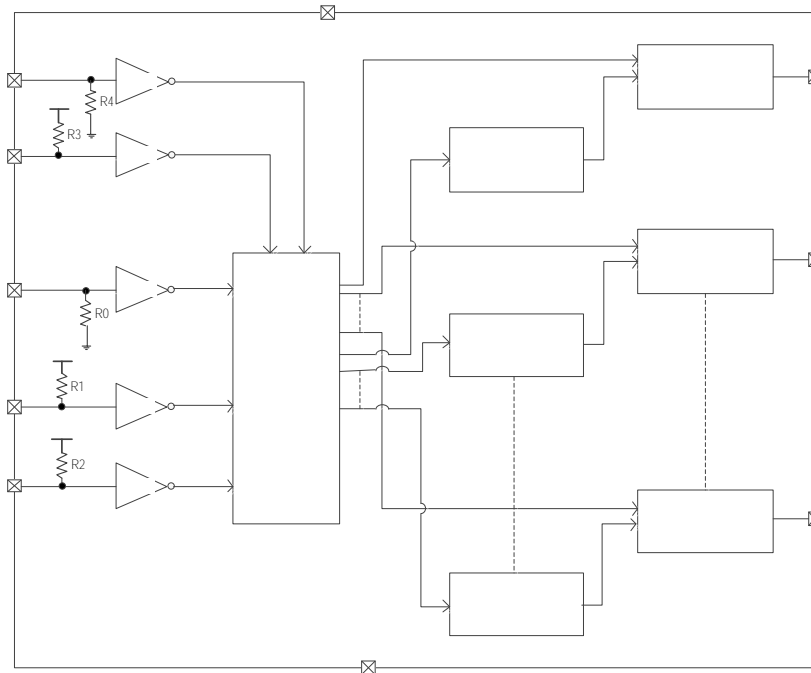


Fig. SM5166PF

1 9	VDD	
15 16 2	A0 ~ A2	
3-6 11-14	OUT1 ~ OUT8	
7 10	EN1 EN2	EN1=1 EN2=0
8	GND	

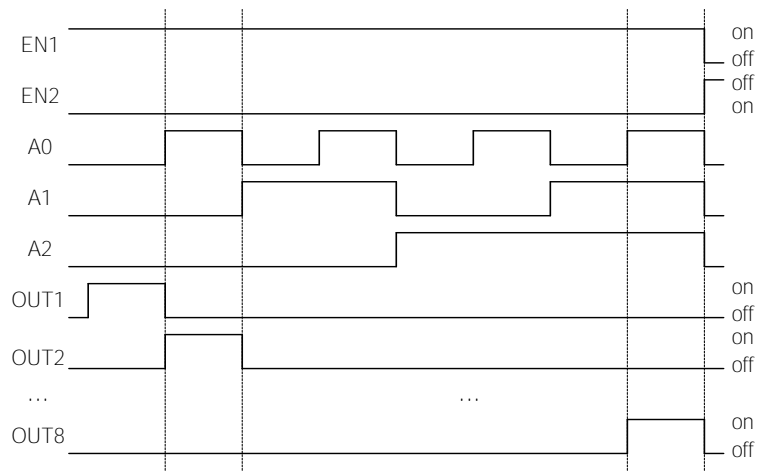


Fig. SM5166PF

EN1	EN2	A2	A1	A0	OUT1	OUT2	OUT3	OUT4	OUT5	OUT6	OUT7	OUT8
1	0	0	0	0	H	L	L	L	L	L	L	L
		0	0	1	L	H	L	L	L	L	L	L
		0	1	0	L	L	H	L	L	L	L	L
		0	1	1	L	L	L	H	L	L	L	L
		1	0	0	L	L	L	L	H	L	L	L
		1	0	1	L	L	L	L	L	H	L	L
		1	1	0	L	L	L	L	L	L	H	L
		1	1	1	L	L	L	L	L	L	L	L
X	1	X	X	X	L	L	L	L	L	L	L	L
0	X	X	X	X	L	L	L	L	L	L	L	L

H            L



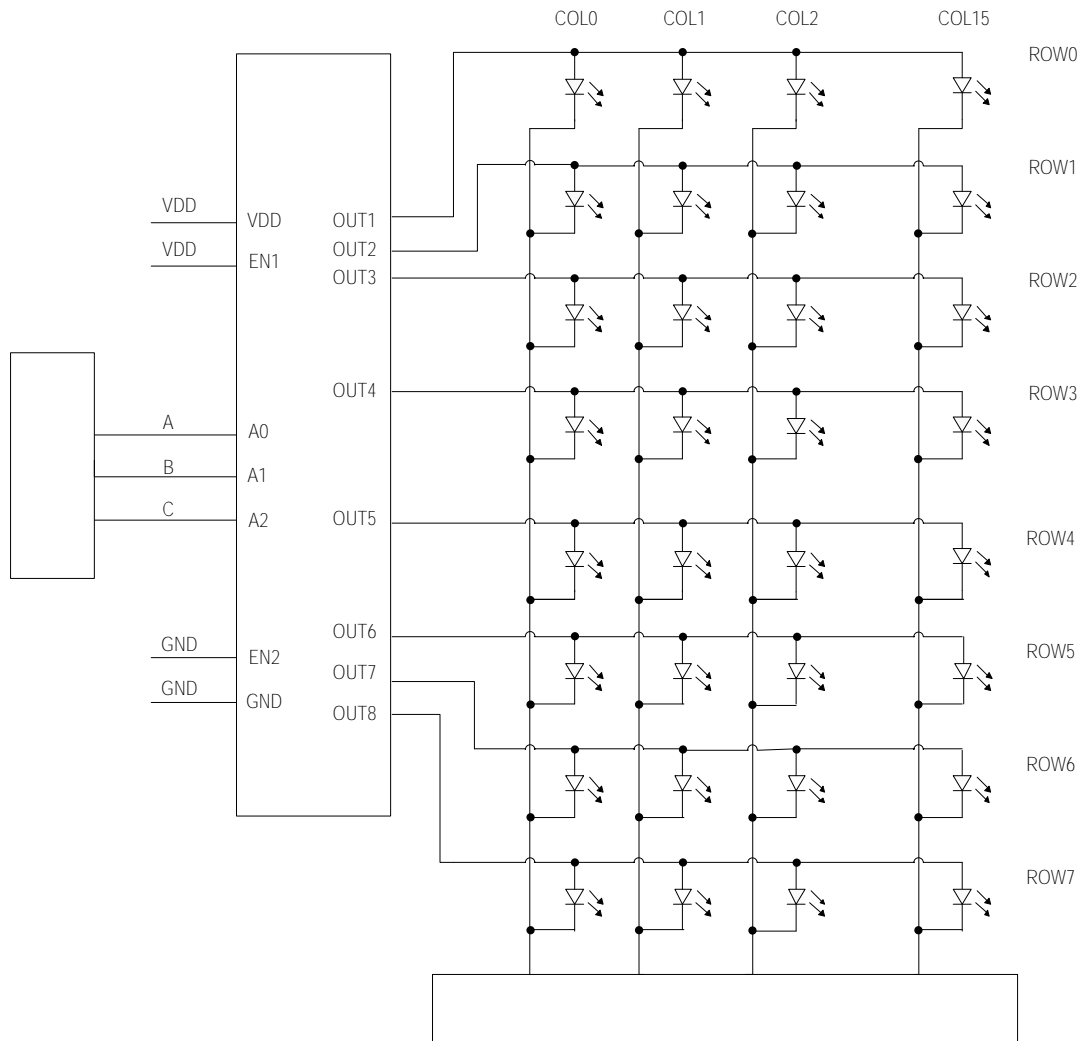


Fig. 8

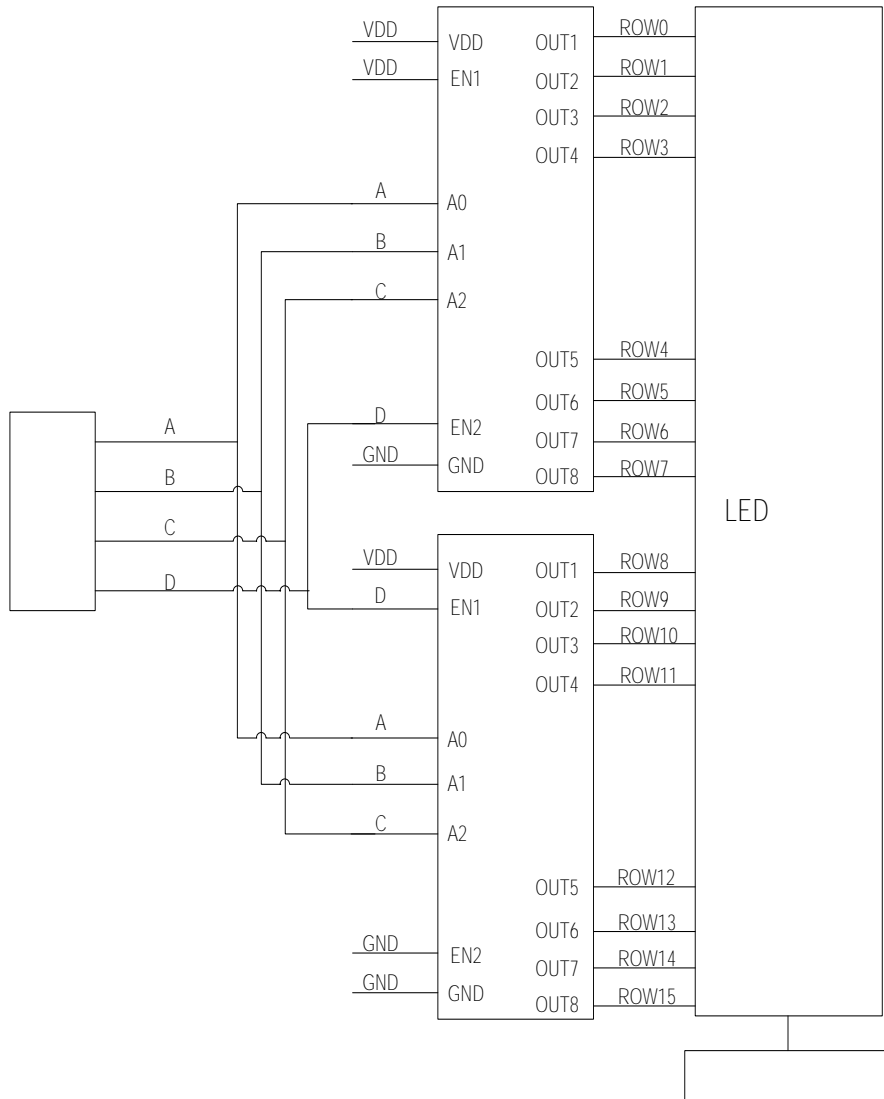


Fig. 16

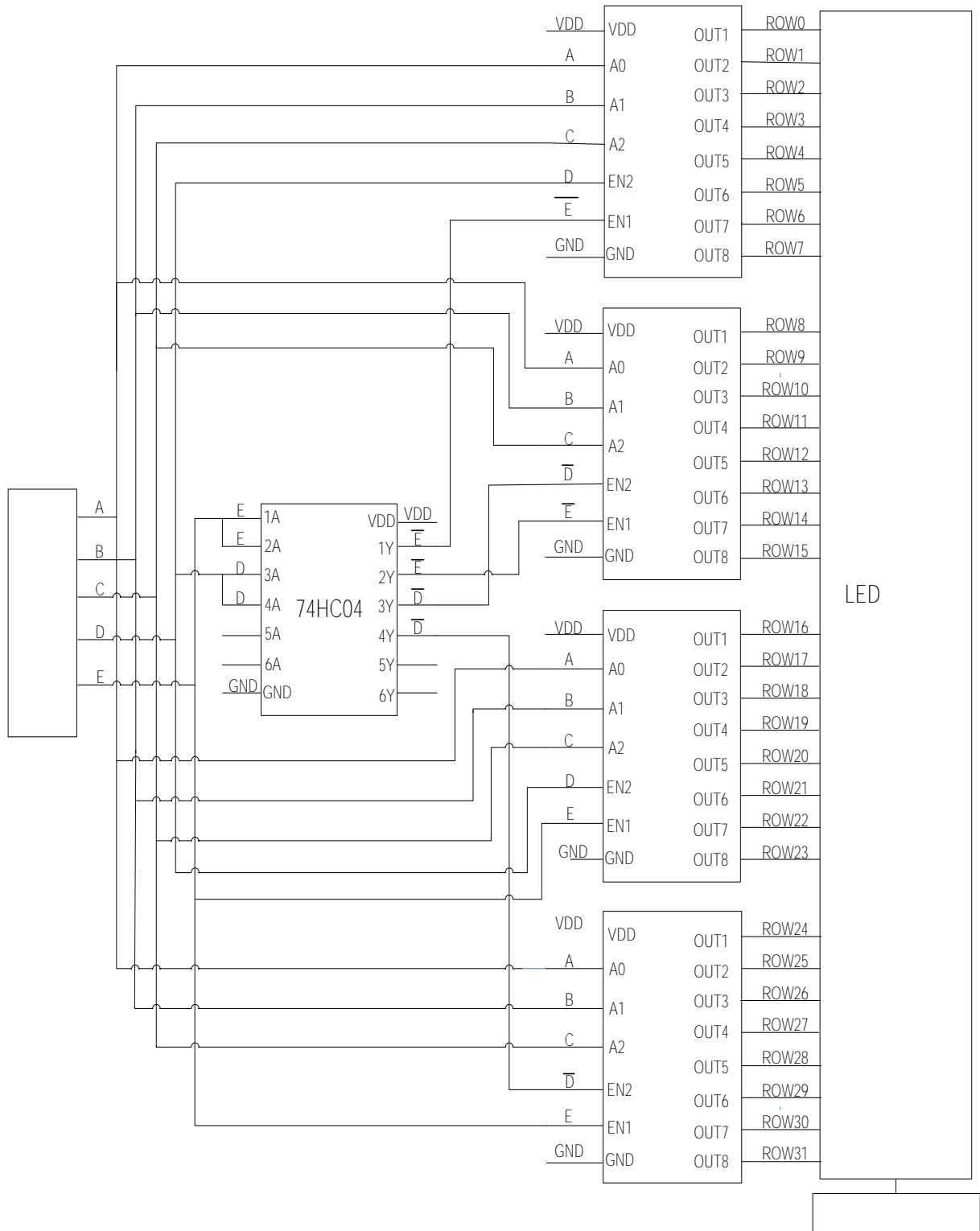
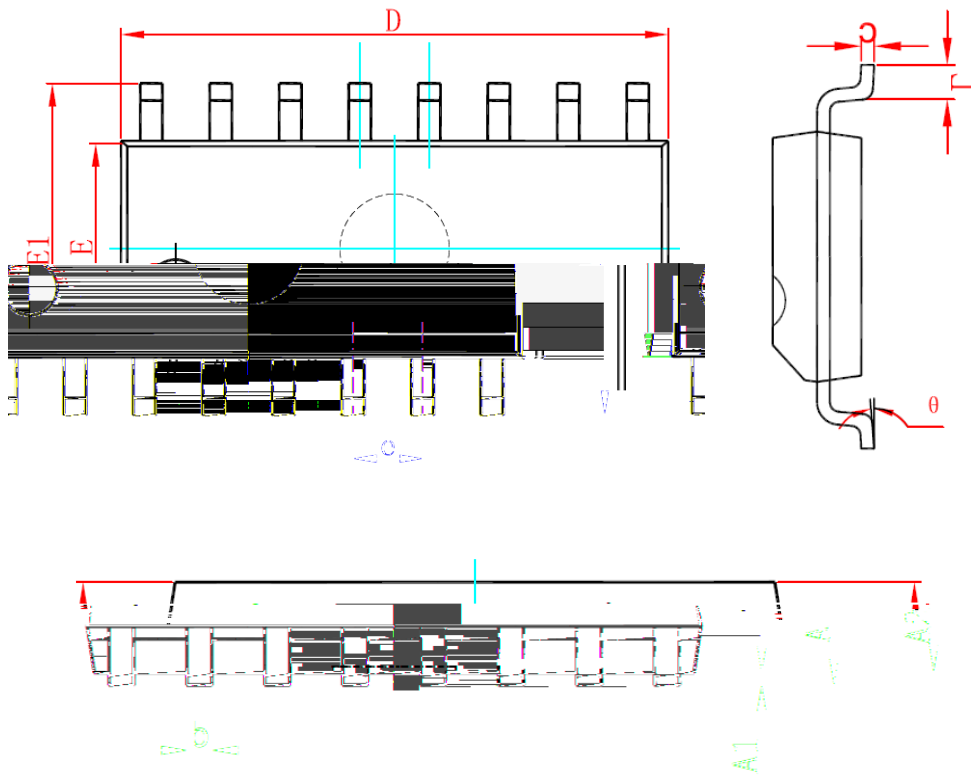


Fig. 32

SOP16



Symbol	Min(mm)	Max(mm)
A	-	1.95
A1	-	0.25