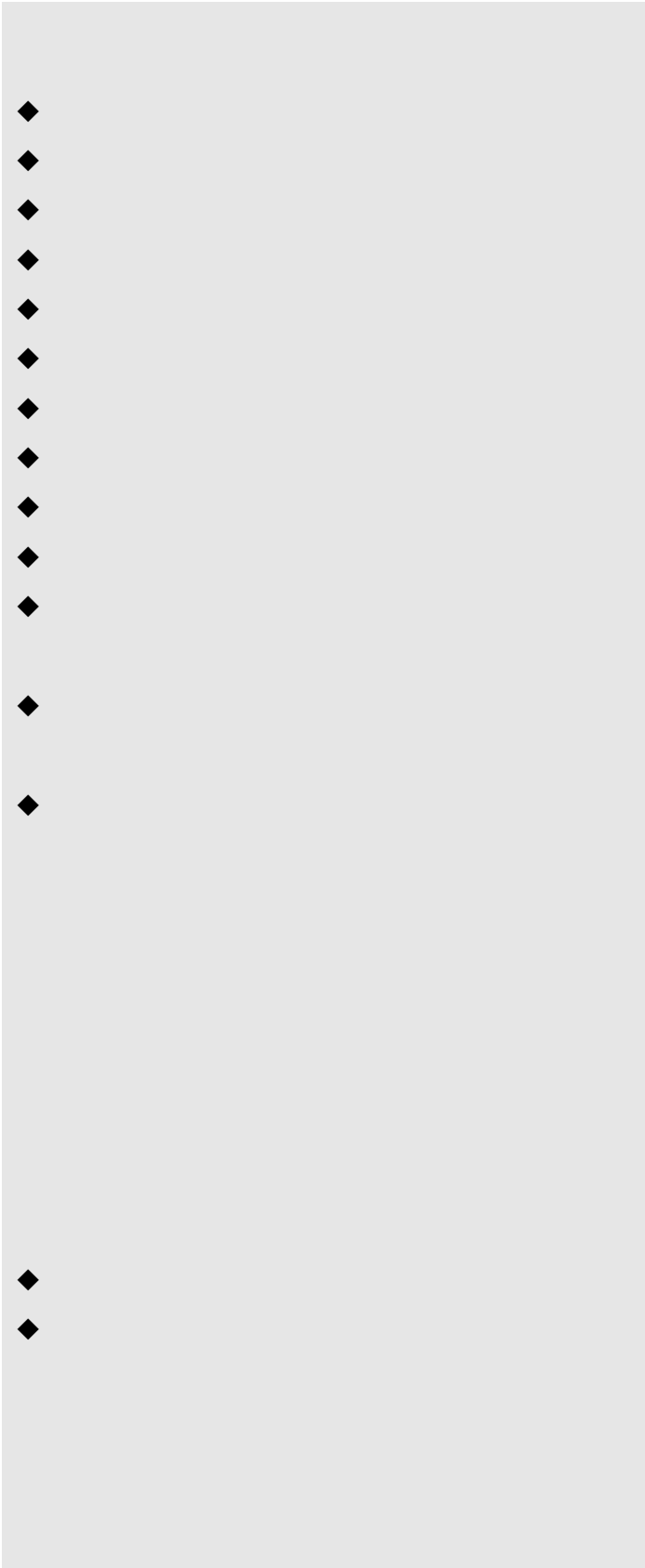
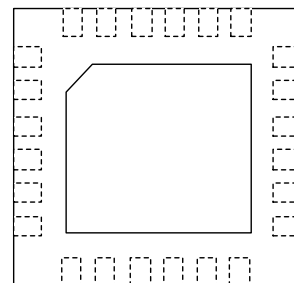
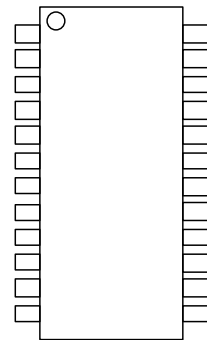
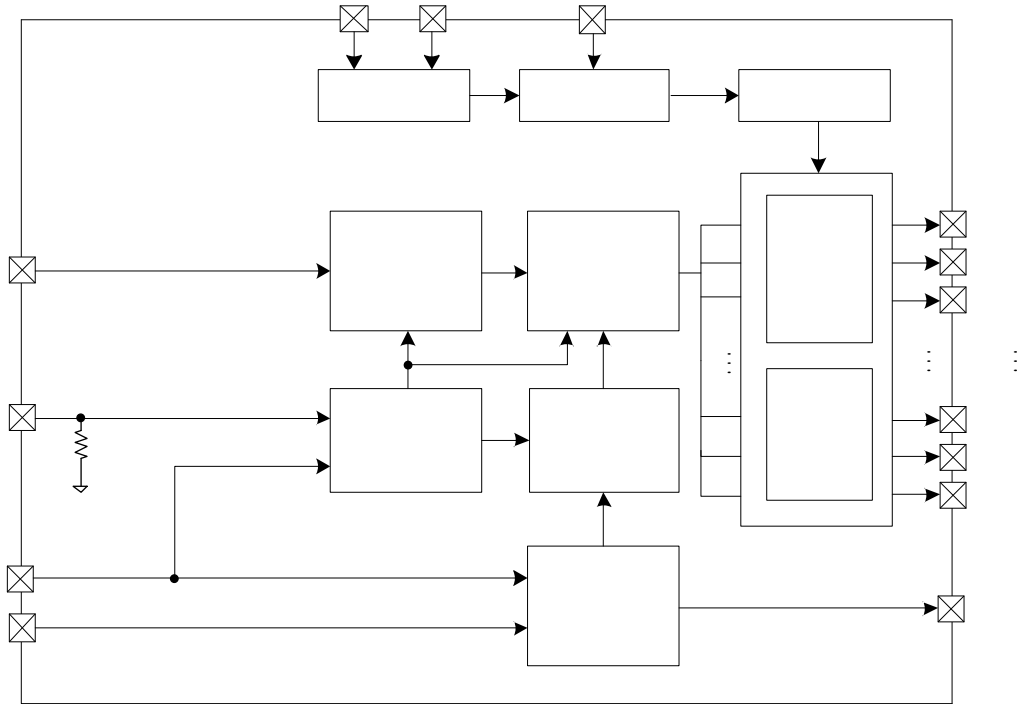


SM16380F

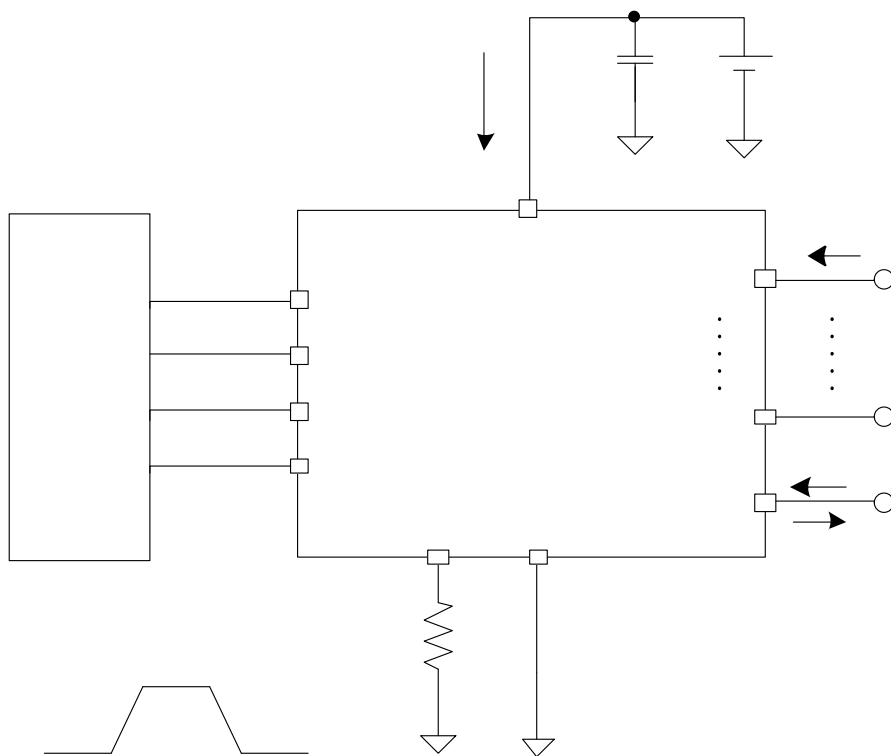


" "

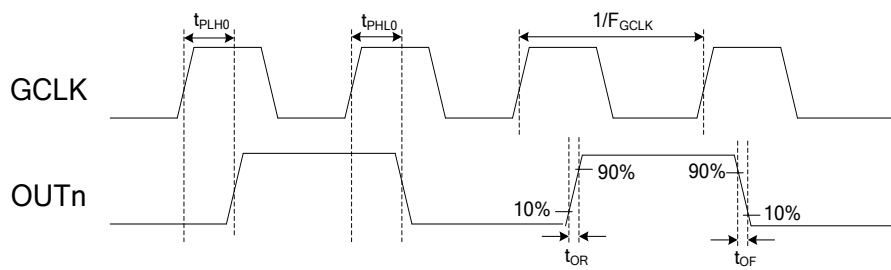
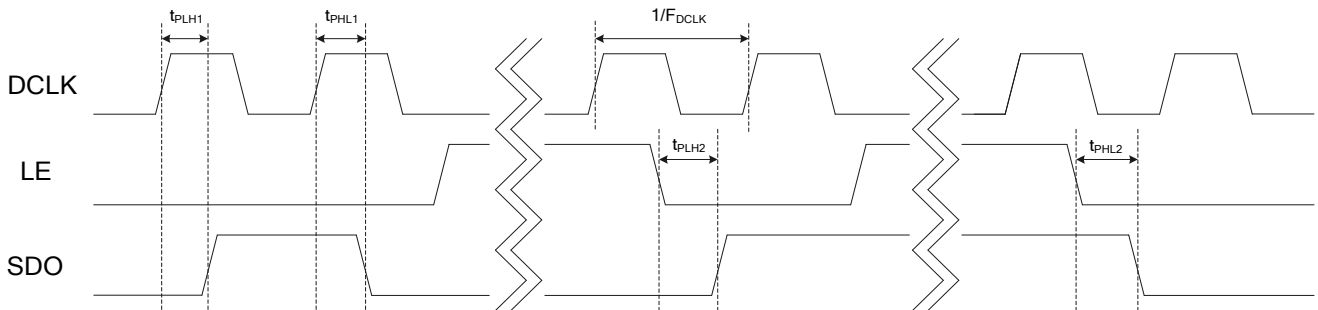
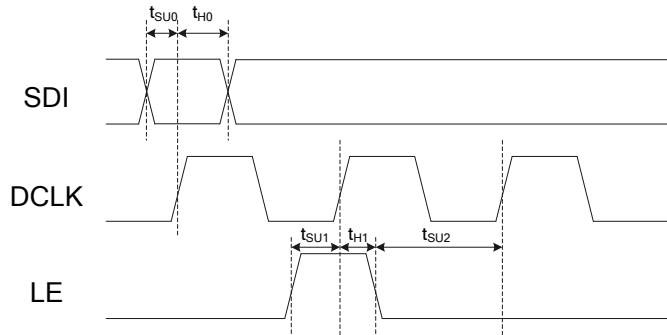


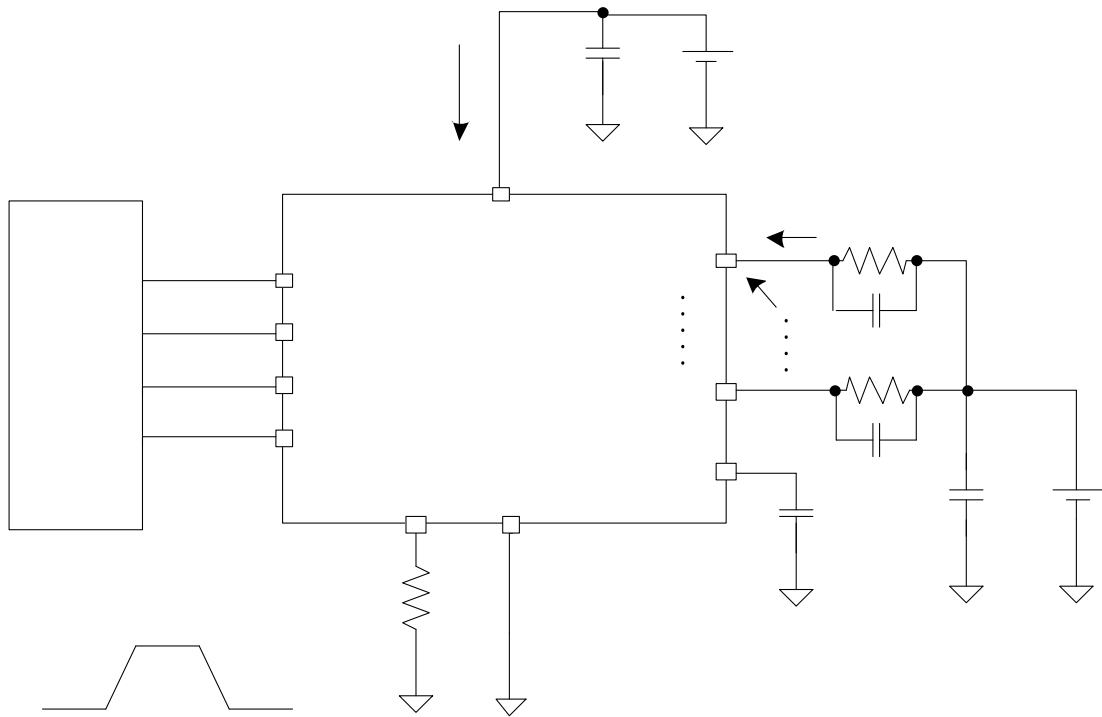


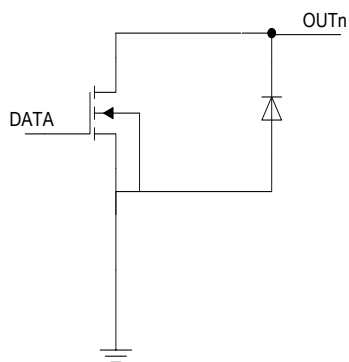
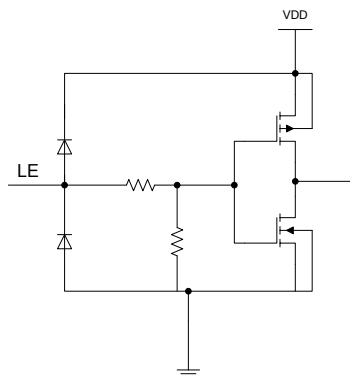
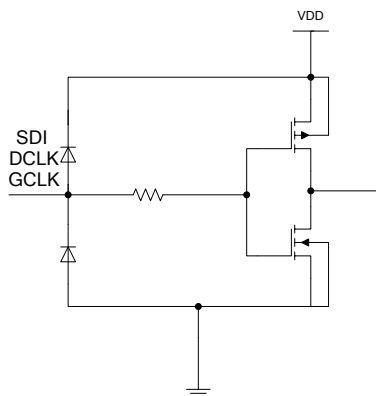
1

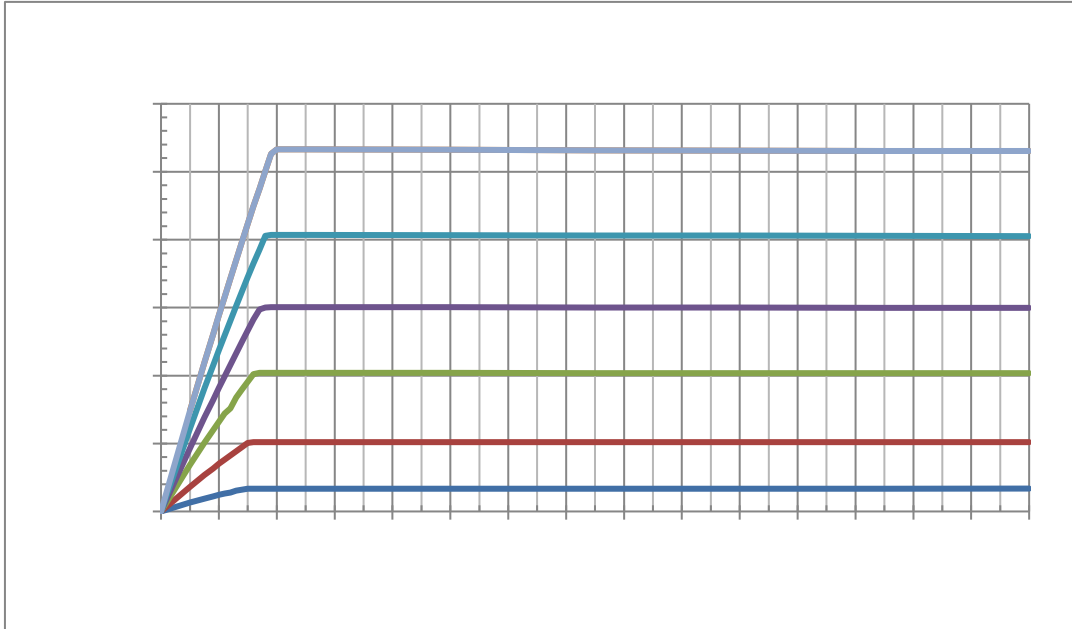


◆



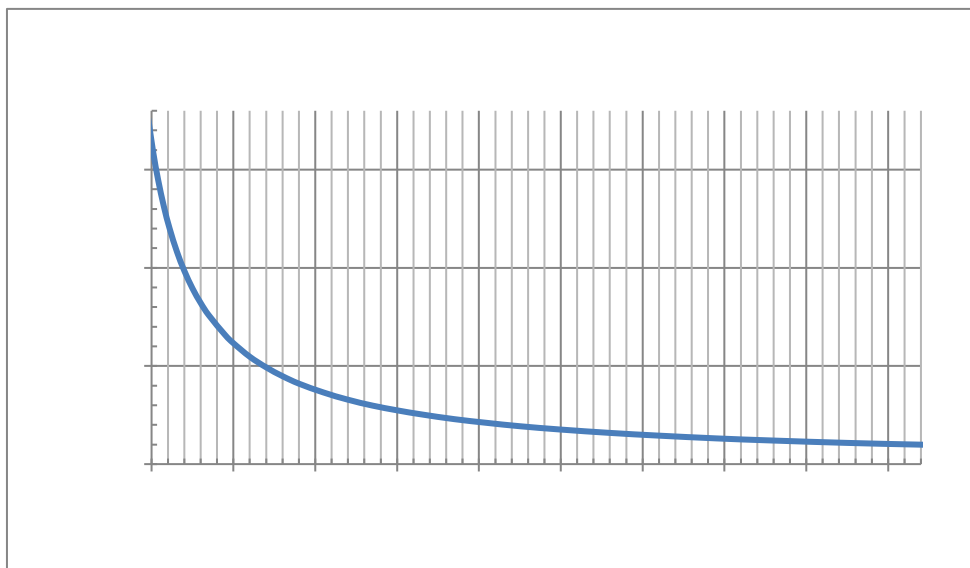




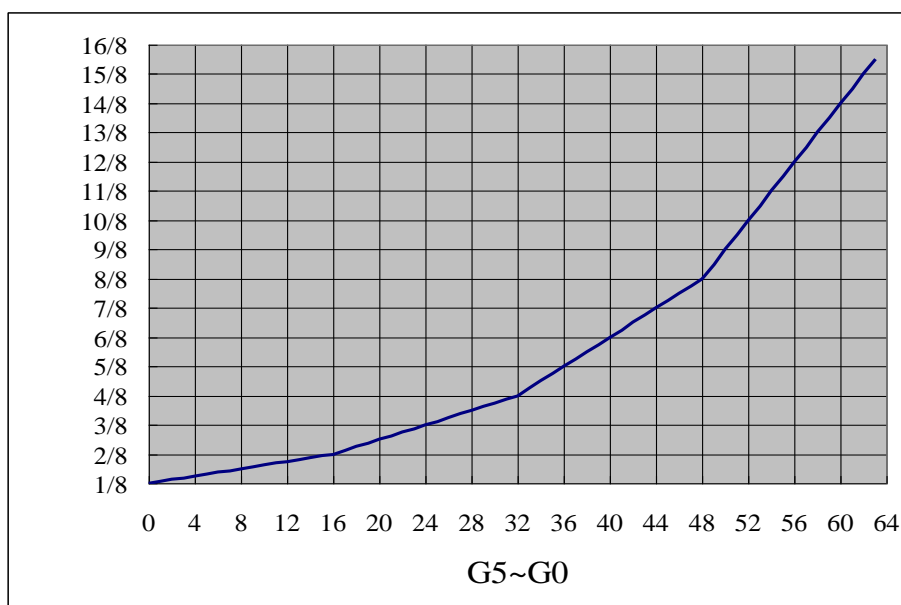


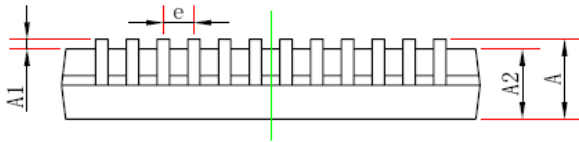
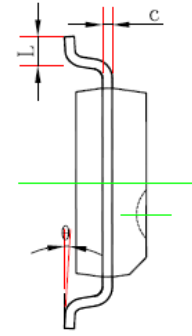
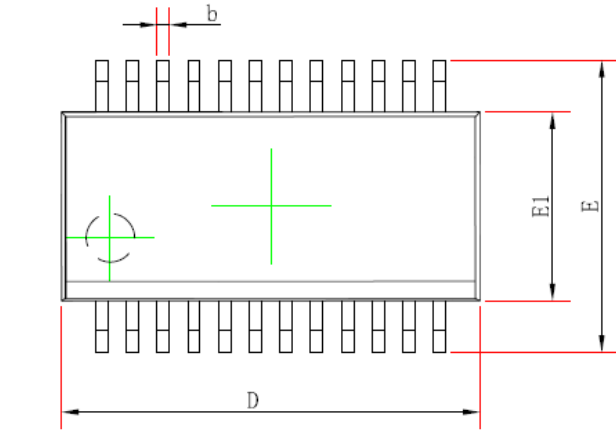
= —

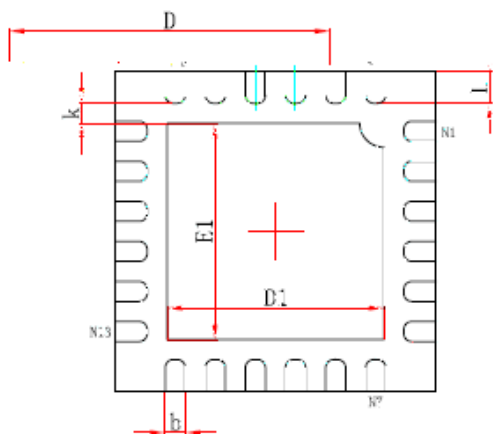
= —



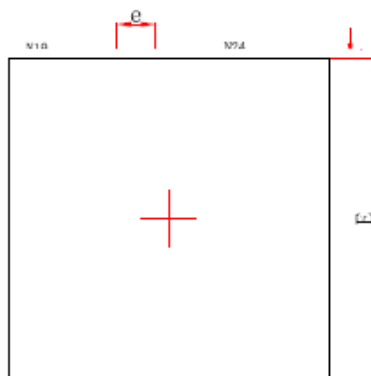
$$= \overset{+}{\text{---}} + \overset{+}{\text{---}} + \overset{+}{\text{---}} + \overset{+}{\text{---}} + \overset{+}{\text{---}}$$



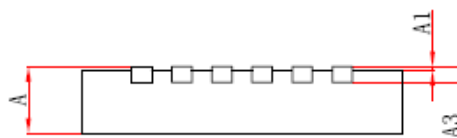




Bottom View



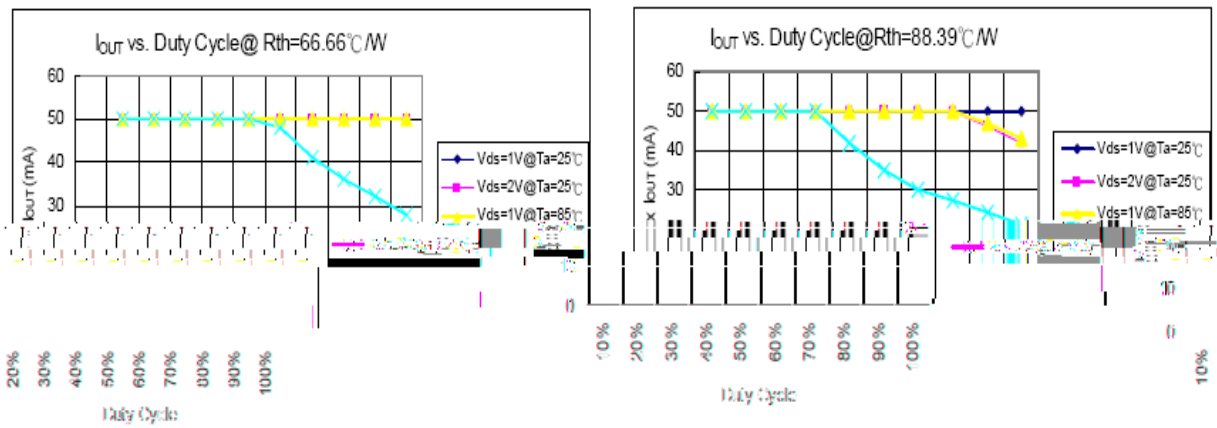
Top View



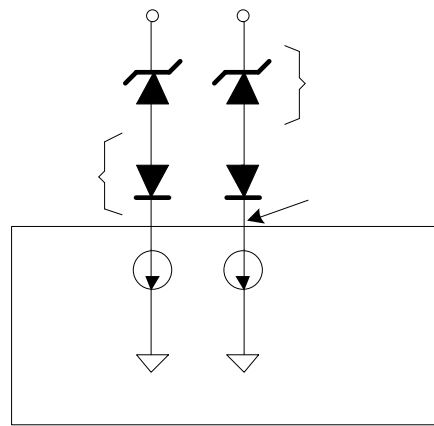
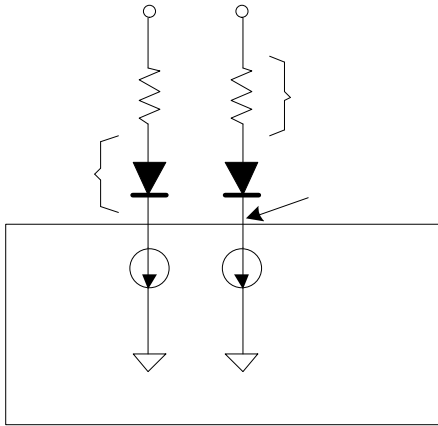
Side View

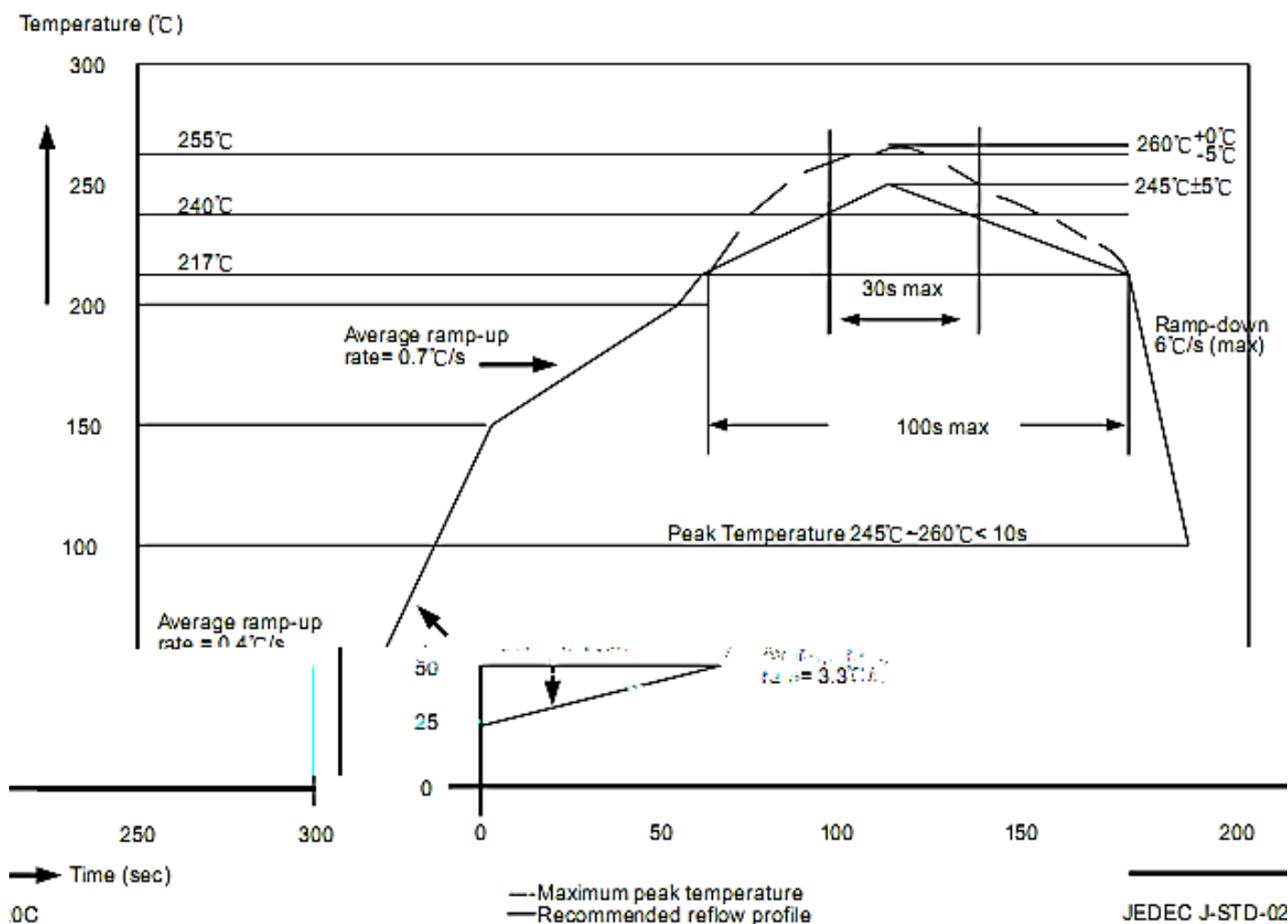
(P_D)

() ()



(VLED)





	mm ³ < 350	mm ³ 350~2000	mm ³ ≥ 2000

