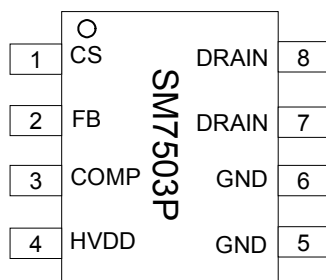
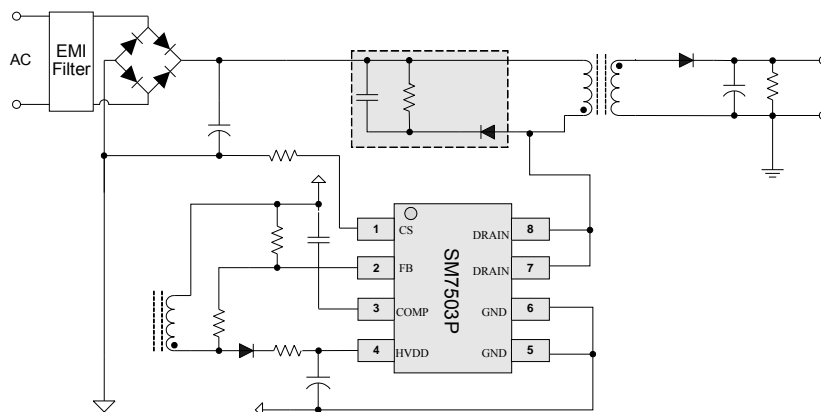
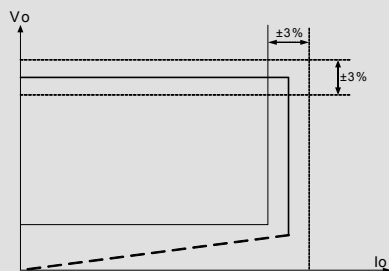
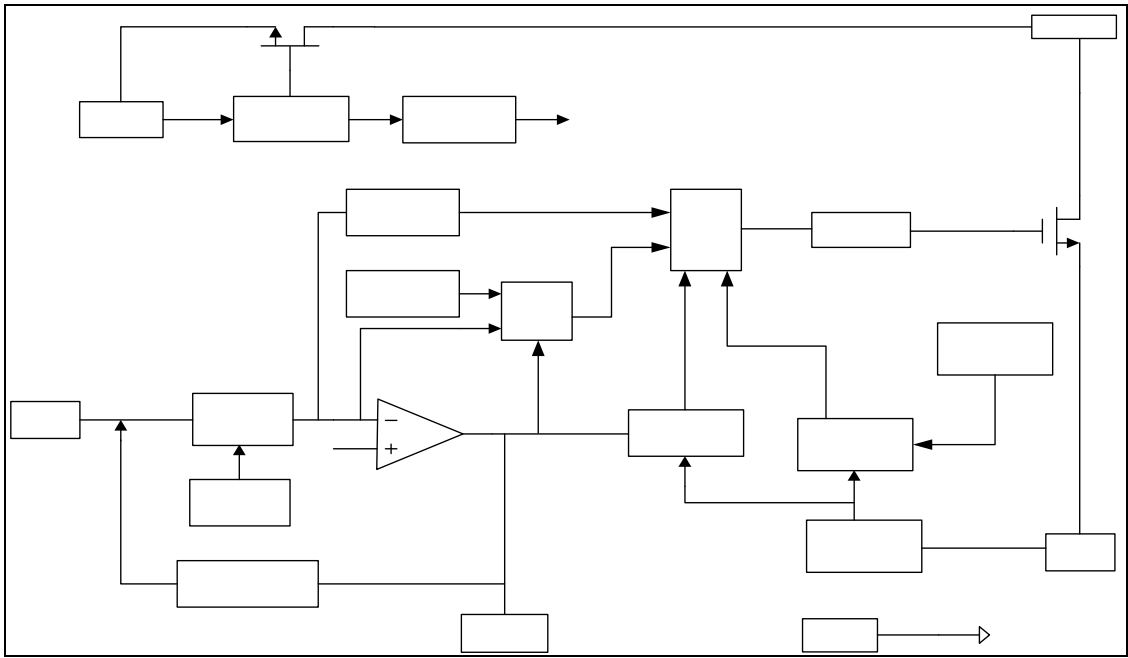


SM7503P









$$I_o = 1/4 \times N \times I_p \times \eta$$

I_o

N

η

— ()



—



