

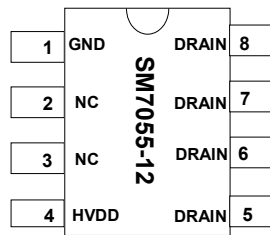
SM7055-12

- ◆ BUCK
- ◆ BUCK-BOOST
- ◆ 730V
- ◆ 85Vac~265Vac
- ◆ 120mW@220Vac
- ◆ 60KHz
- ◆ EMC
- ◆ PWM
- ◆ EMC
- ◆ TO252-2 DIP8

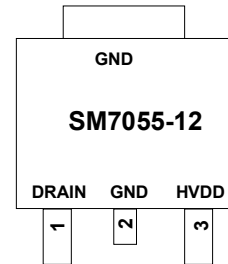
SM7055-12

PWM

BUCK BUCK-BOOST 12V

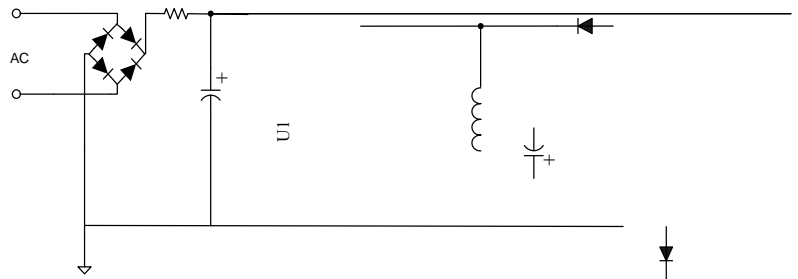


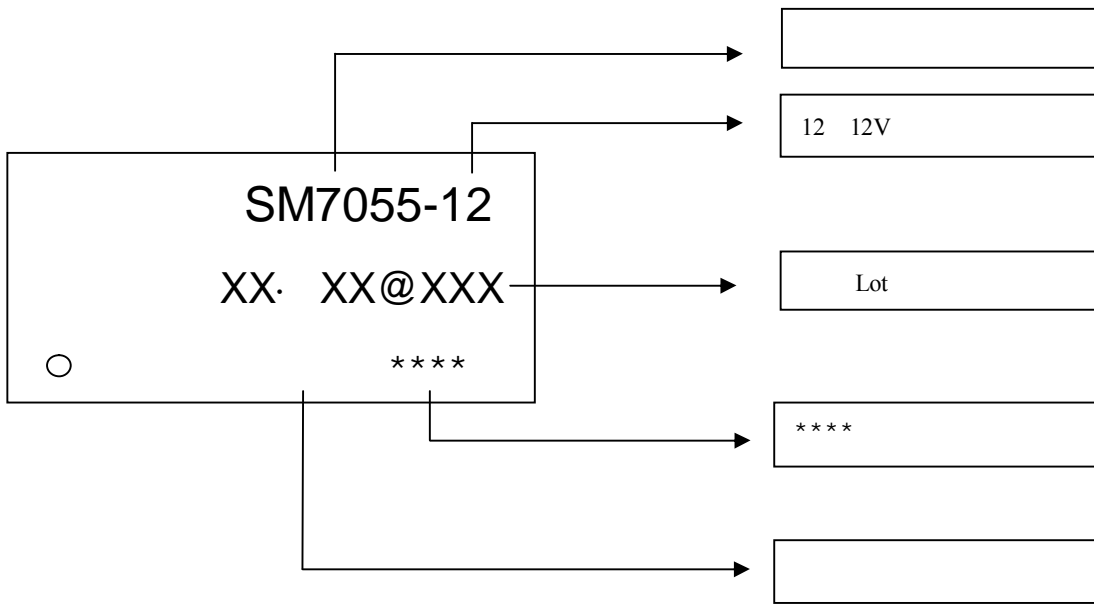
DIP8



TO252-2

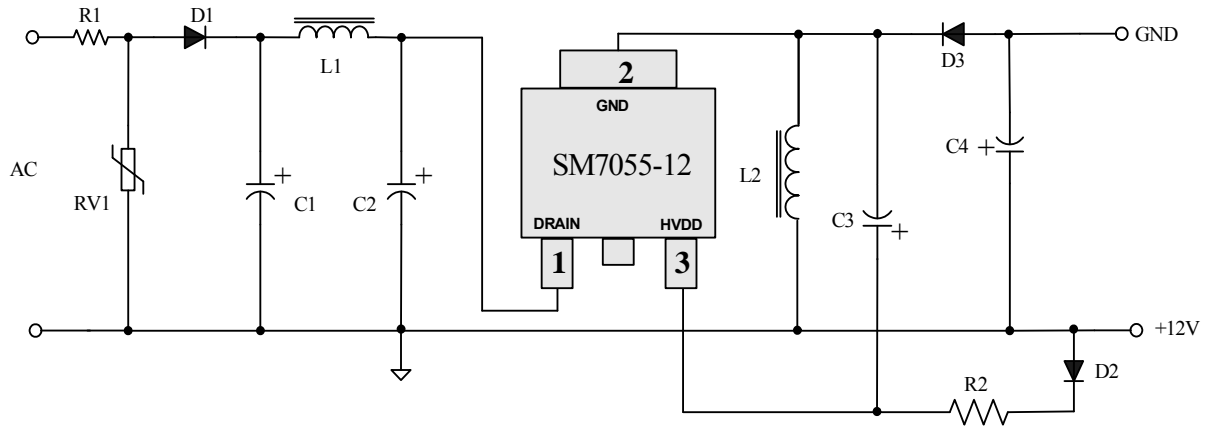
		85Vac~265Vac	180Vac~265Vac
	DIP8	200mA	250 mA
	TO252	250mA	300 mA





	TO252	DIP8	
GND	2	1	
HVDD	3	4	
DRAIN	1	5,6,7,8	MOS DRAIN
NC		2,3	

(TA= 25)



◆

BUCK-BOOST C1 C2 L1 EMI R1

D1

L2 D2 HVDD D3

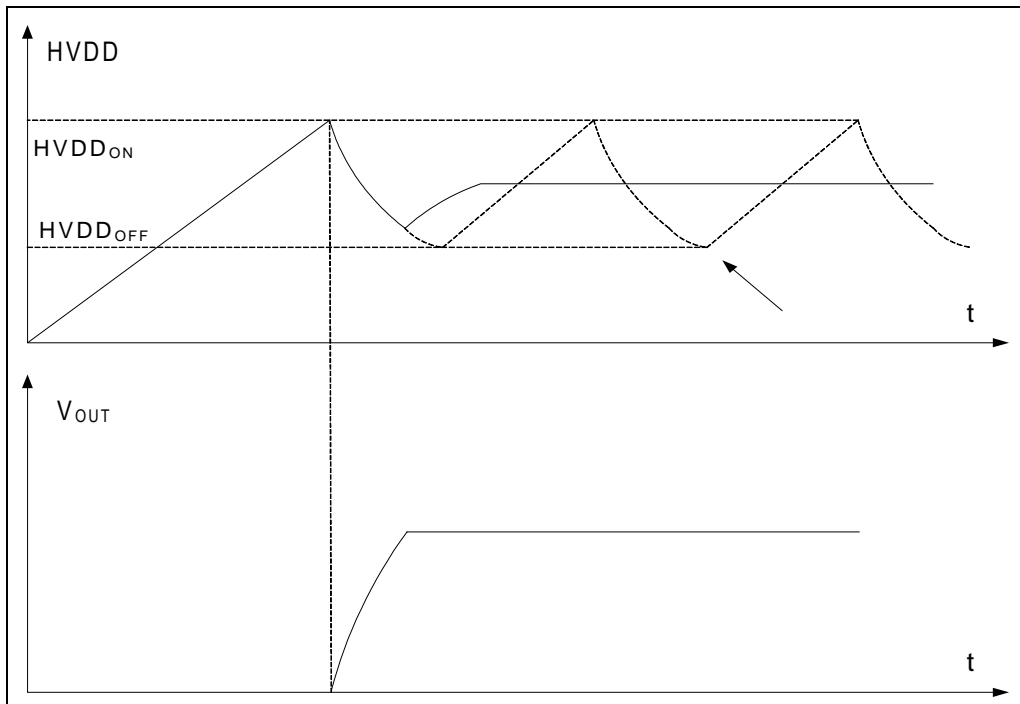
$V_{OUT} = HVDD + 0.7V$ (0.7V D2)

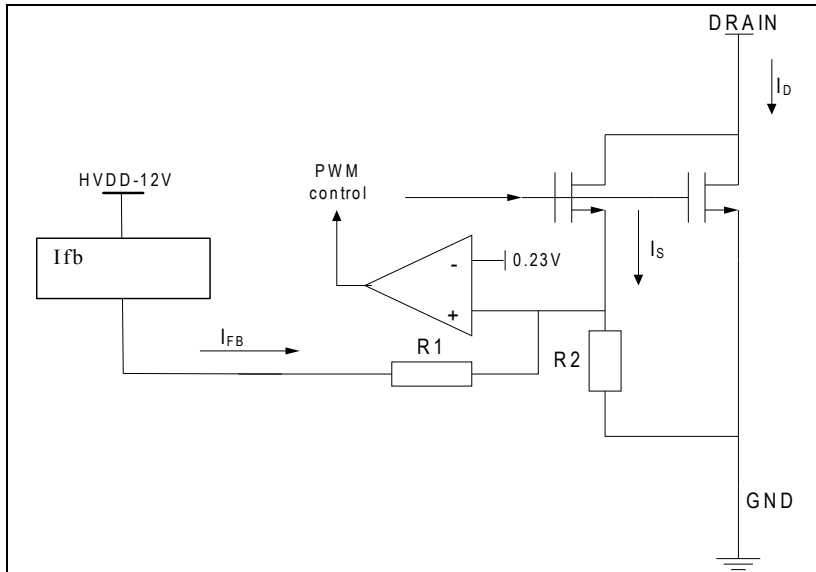
◆ HVDD

C2 MOS HVDD C3

C3 11.5V MOS PWM

C3 9V PWM





MOS

$$I_D = G_{ID} \cdot I_S$$

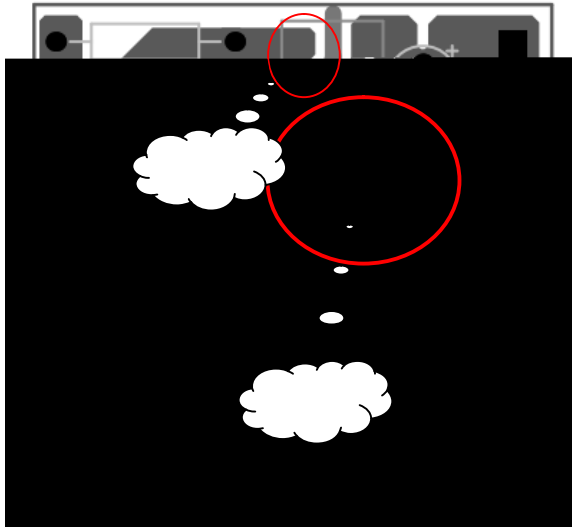
$$(I_S + I_{FB}) \cdot R2 = 0.23V$$

$$I_S = \frac{0.23V}{R2} - I_{FB}$$

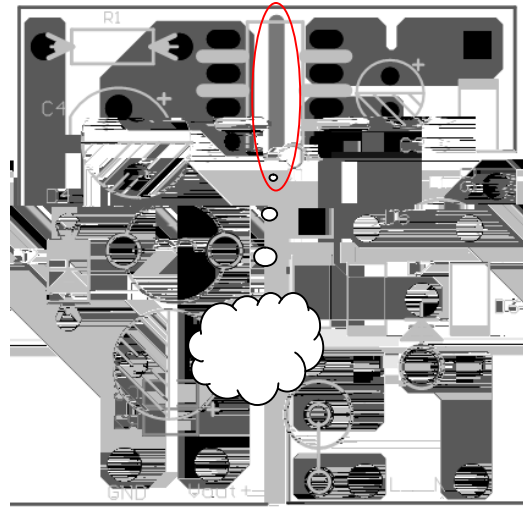
$$I_D = G_{ID} \cdot \left(\frac{0.23V}{R2} - I_{FB} \right)$$

IFB ID IFB ID IFB (0.23V / R2)
 PWM

PCB layout

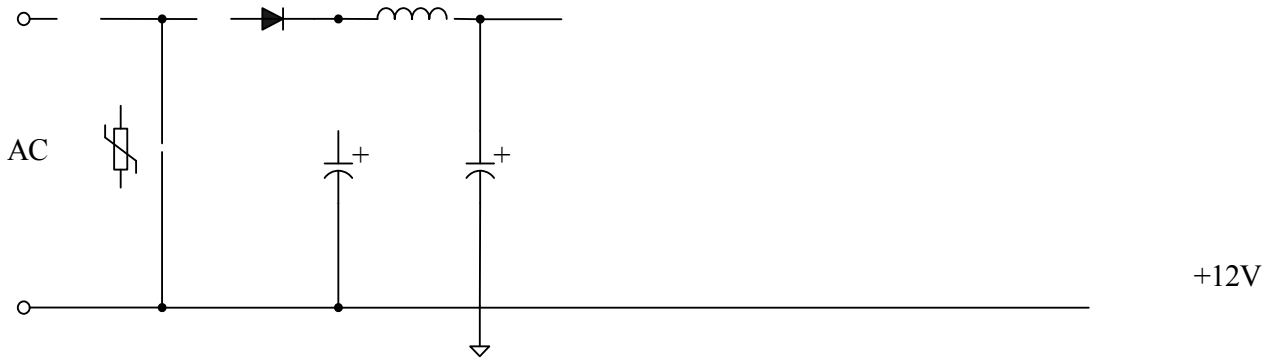


TO252

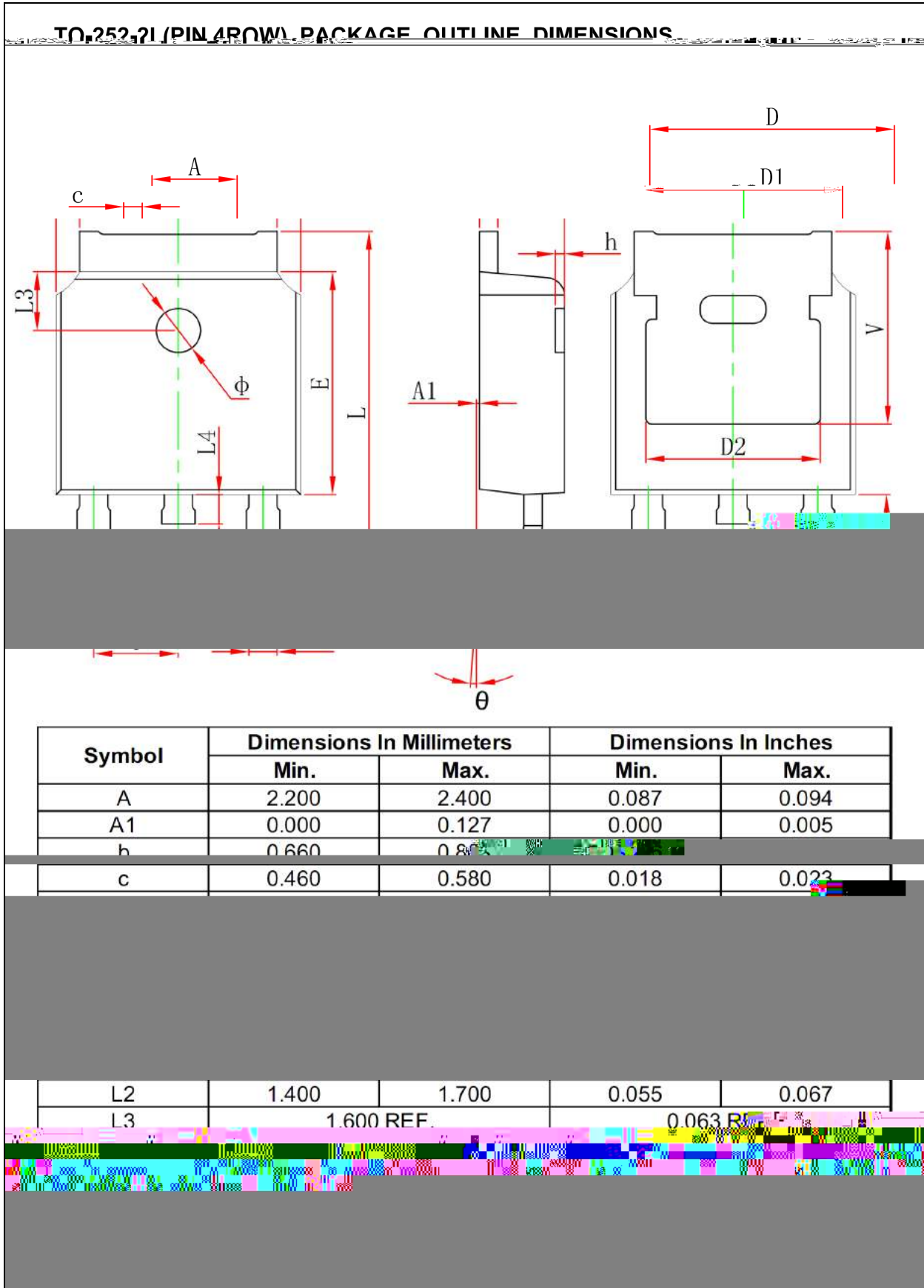


DIP8

TO252	◆ IC 2 GND	8*8mm
	◆ IC 1 DRAIN 2 GND 3 HVDD	
	◆	EMC
DIP8	◆ IC DRAIN GND HVDD	
	◆	EMC



T0252-2



业务电话: 400-033-6518

注: 如需最新资料或技术支持, 请与我们联系

DIP8

