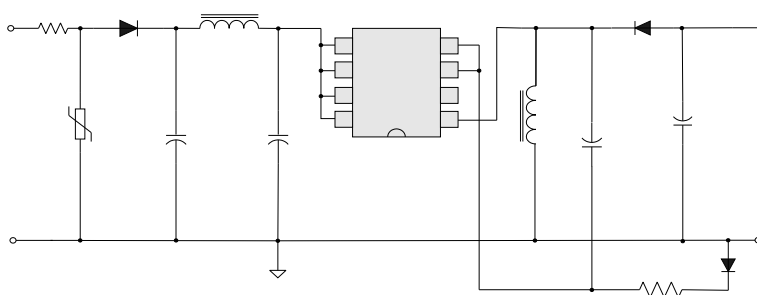
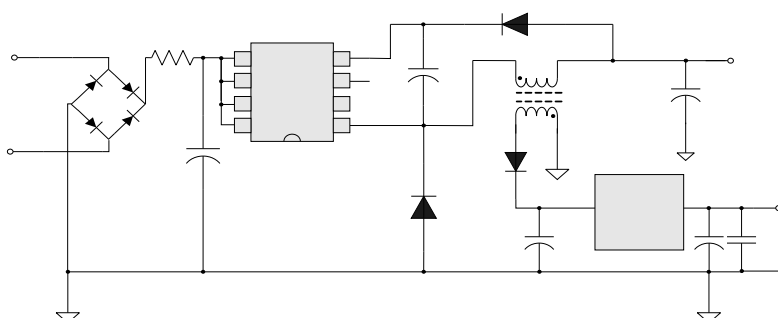


12V

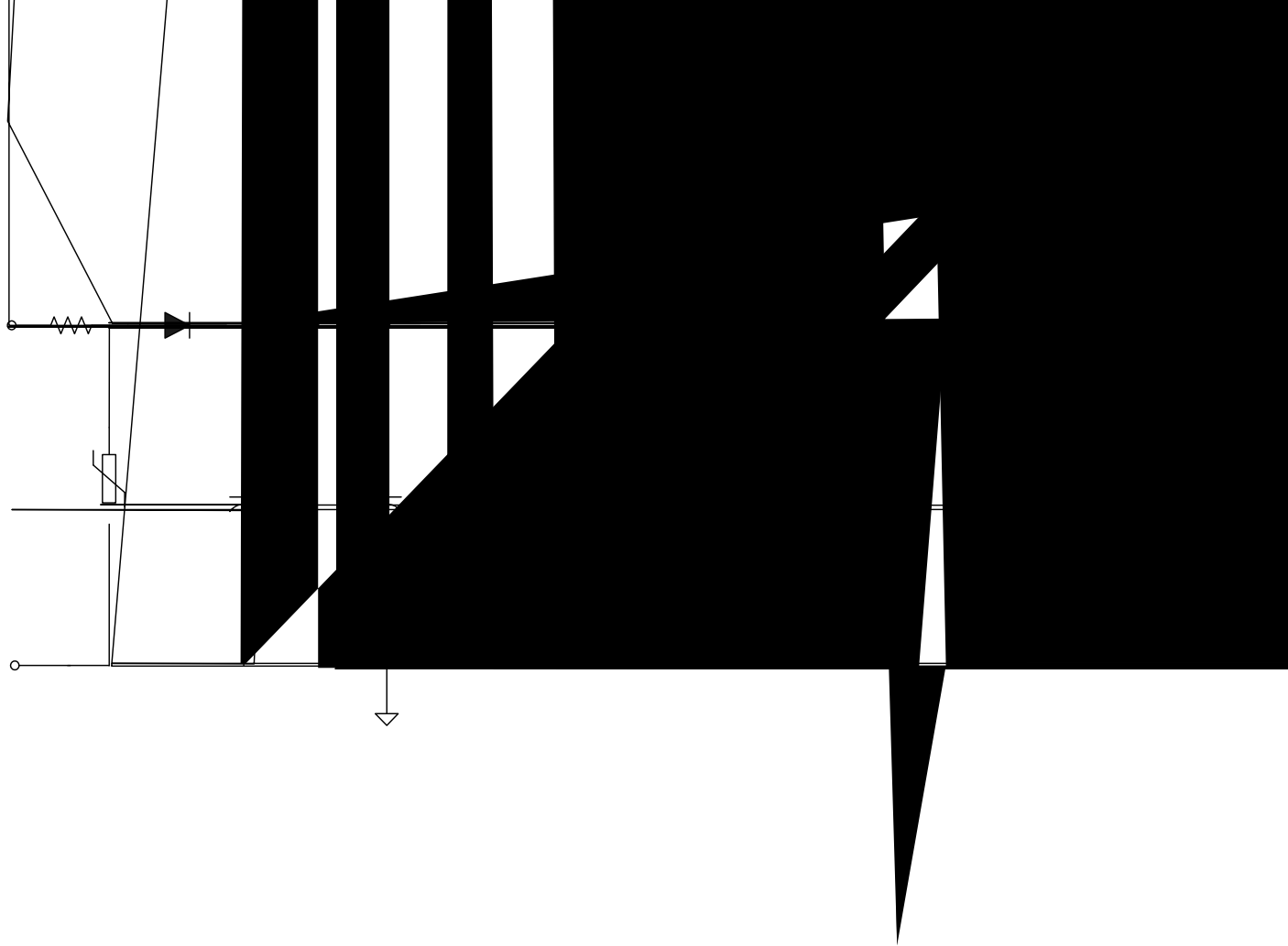


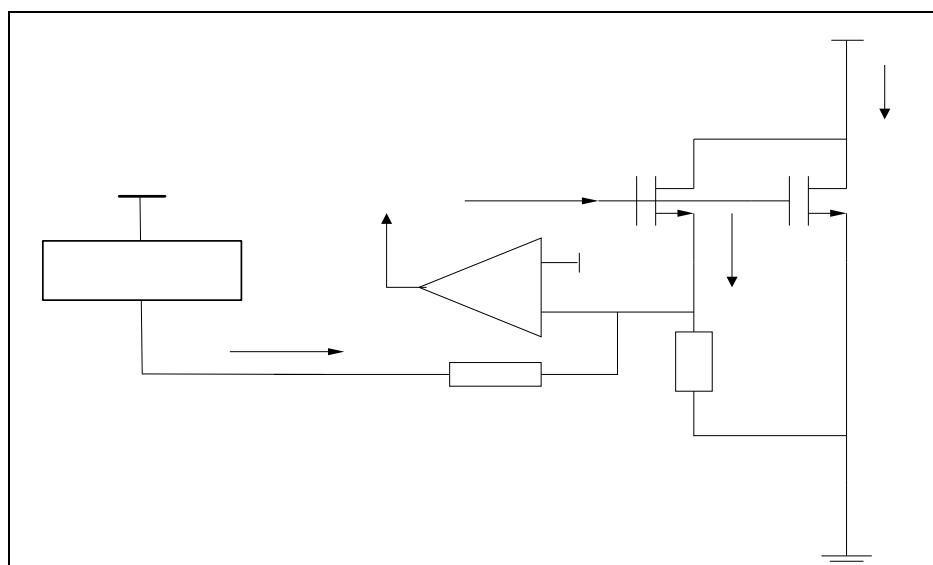
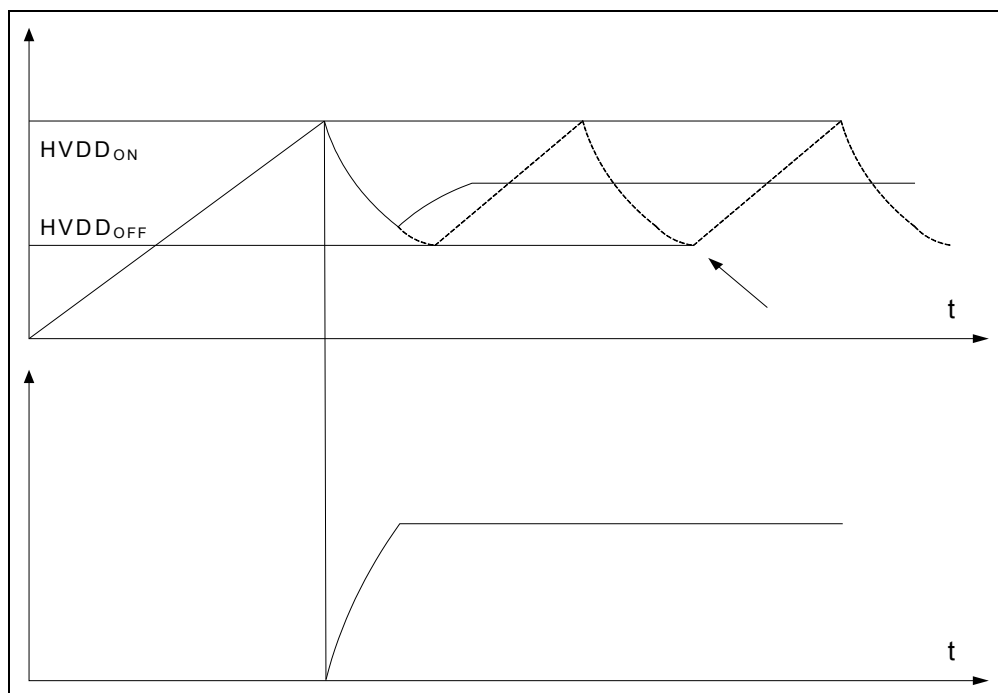
18V





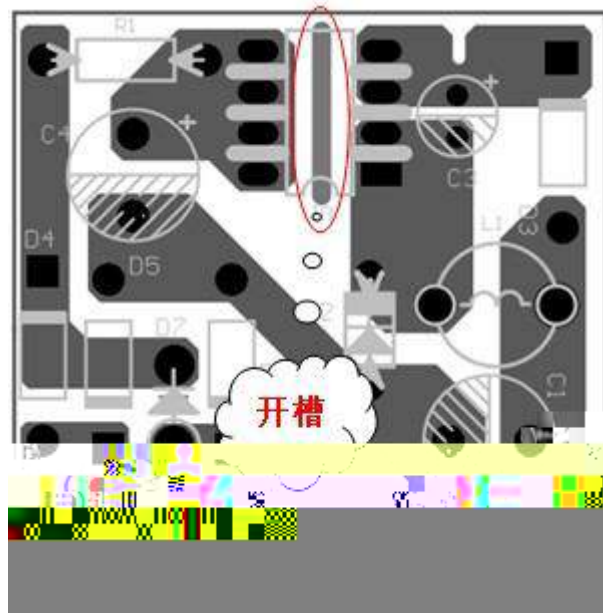






= ●  
 + ● =  
 = \_\_\_\_\_  
 \_\_\_\_\_

## PCB layout



◆ IC DRAIN GND HVDD
◆ EMC



○ ——— |

○ ———

