

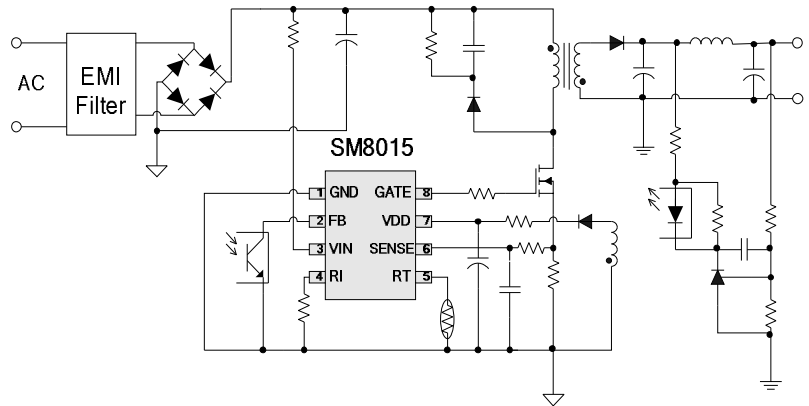
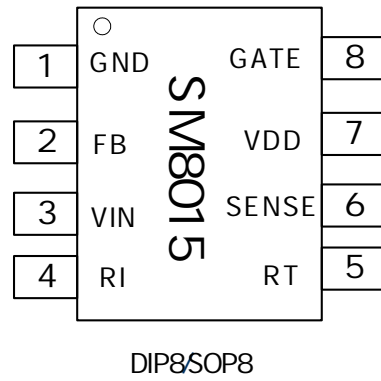
# SM8015

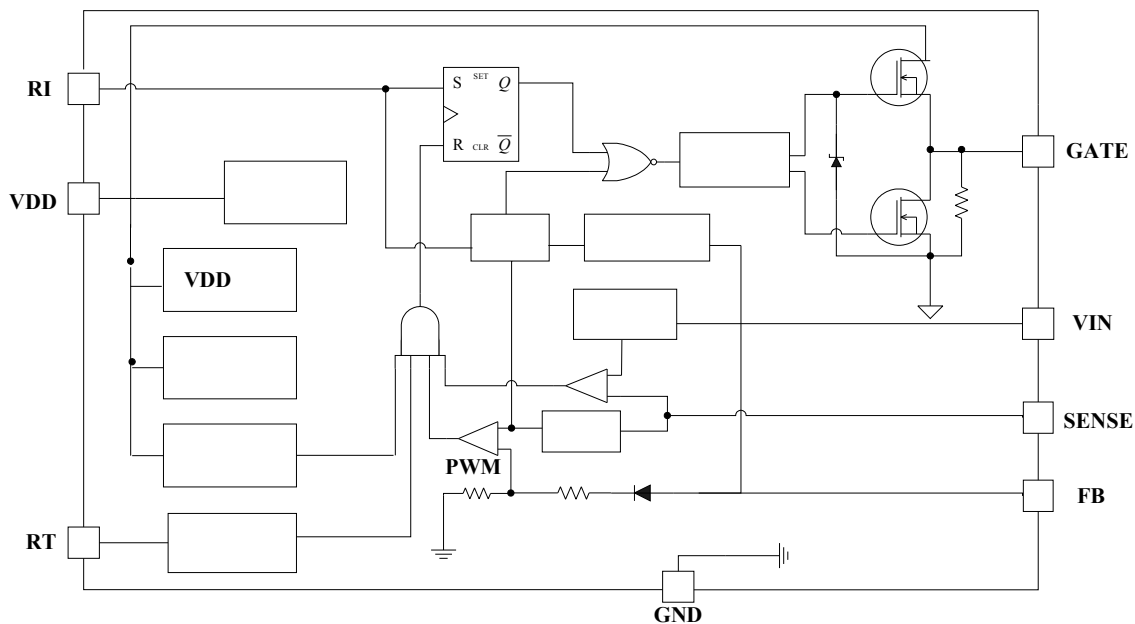
- ◆
- ◆ LEB
- ◆
- ◆
- ◆
- ◆
- ◆
- ◆ Q.3W@265VAC
- ◆
- ◆ VDD
- ◆ DIP8 SOP8

◆ DVD PC TV LCD

- ◆
- ◆

SM8015 AC/DC PWM  
 $<0.3W@265VAC$   
 VDD





GND	1	
FB	2	PWM FB SENSE
VIN	3	SENSE
RI	4	PWM RI GND PWM
RT	5	RT GND
SENSE	6	
VDD	7	
GATE	8	

VDD		<35		V
VDD <sub>damp</sub>	VDD	VDD 01		V
IDD <sub>damp</sub>	VDD	10		mA
V <sub>FB</sub>	FB	-03 7.0		V
V <sub>RI</sub>	RI	-03 7.0		V
V <sub>RT</sub>	RT	-03 7.0		V
V <sub>sense</sub>	SENSE	-03 7.0		V
T <sub>A</sub>		-20 85		
T <sub>stg</sub>		-55 150		
R <sub>JA</sub>		DIP8	85	W
		SOP8	130	W
V <sub>ESD</sub>	HBM	>2000		V

 ( T<sub>A</sub>=25 )

IDD <sub>start</sub>		VDD UVLO <sub>(ON)</sub> -0.5V RI 100K	-	3	25	μA
IDD <sub>op</sub>		VDD 18V RI 100K V <sub>FB</sub> =3.0V	1.5	23	30	mA
UVLO <sub>(OFF)</sub>	VDD		88	92	108	V
UVLO <sub>(ON)</sub>	VDD		155	162	175	V
VDD <sub>damp</sub>	VDD	IDD 5mA	29	31	33	V
OVP	VDD		265	280	295	V
FB						
A <sub>cs</sub>	PWM	V <sub>FB</sub> / V <sub>CS</sub>	-	26	-	V/V
V <sub>FB(open)</sub>	FB	VDD=18V	55	59	64	V
I <sub>FB(short)</sub>	FB		-	08	-	mA
Z <sub>FB</sub>	FB		-	9	-	K
V <sub>TH_OD</sub>	O	VDD 18V RI 100K	-	-	1.3	V
V <sub>TH_BM</sub>	BURST		1.40	-	1.75	V
V <sub>TH_PL</sub>			42	44	47	V
TD			-	80	-	mS
Z <sub>FB_IN</sub>	FB		-	9	-	K
SENSE						
T <sub>blinking</sub>	LEB		-	300	-	nS
Z <sub>sense</sub>			-	30	-	K

SM8015AC/DC PWM

SM8015 PWM



SM8015 25μA  
(90VAC 264VAC) 2M 1/4W



BURST

SM8015 FB



RI PWM RI PWM

$$F_{osc} = \frac{6500}{RI(K)} (KHz)$$



SM8015 SENSE  
 $V_{TH,OC}$



RC

SENSE

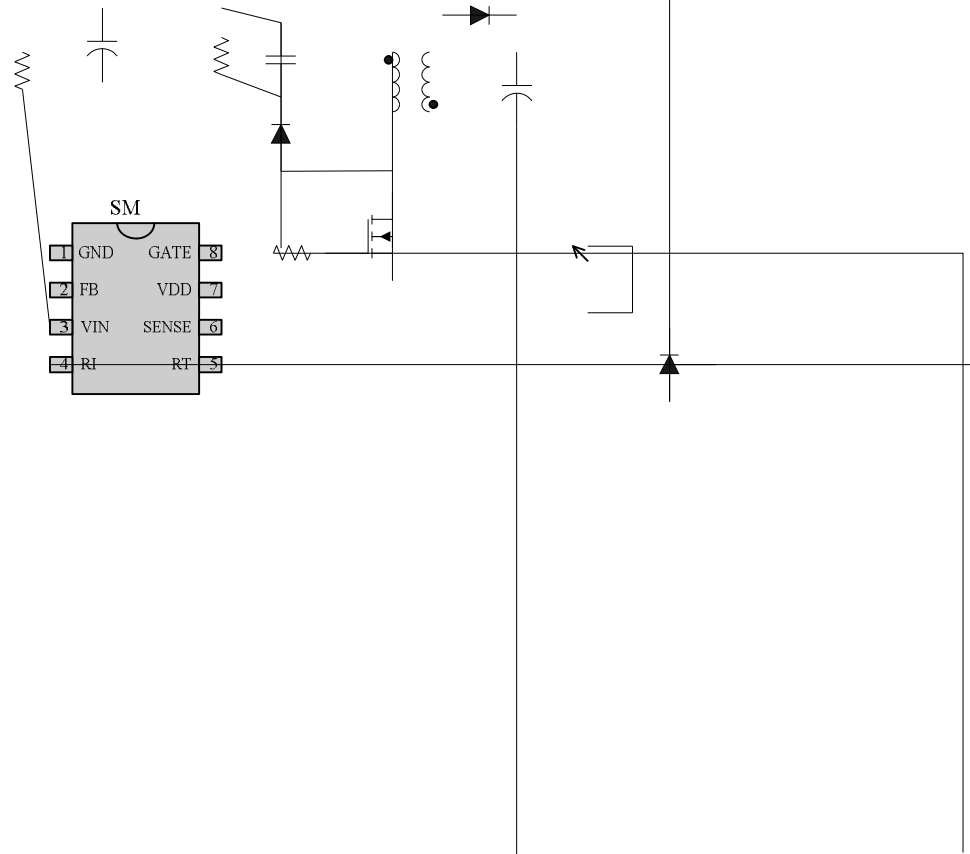
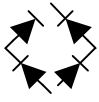


RT GND NTC RT  
GATE PWM

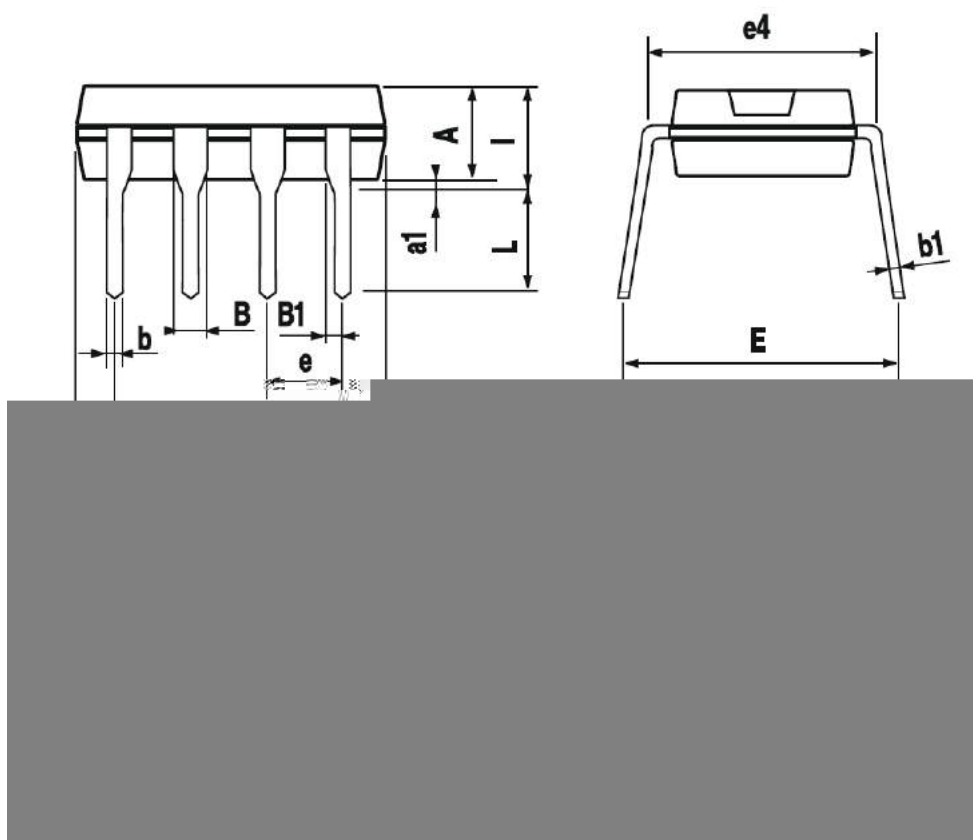


SM8015 OCP OLP OTP

◆ SMB01512V/6A

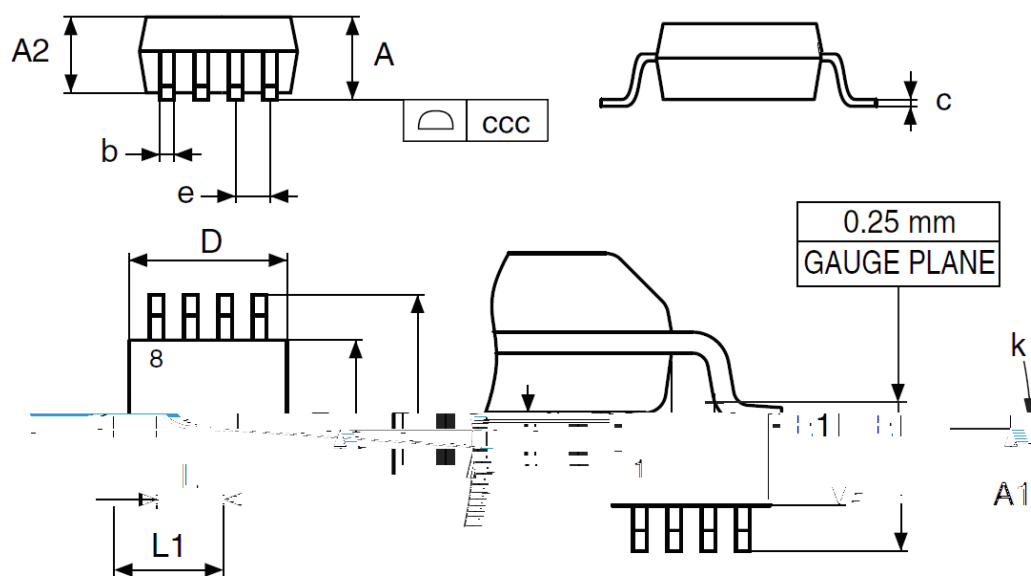


DIP8



DIMENSIONS						
REF.	mm			inch		
	MIN.	TYP.	MAX.	MIN.	TYP.	MAX.
A		33			0.130	
a1	0.7			0.028		
B	1.39		1.65	0.055		0.065
B1	0.91		1.04	0.036		0.041
b		0.5			0.020	
b1	0.38		0.5	0.015		0.020
D			9.8			0.386
E		8.8			0.346	
e		2.54			0.100	
e3		7.62			0.300	
e4		7.62			0.300	
F			7.1			0.280
I			4.8			0.189
L		3.3			0.130	
Z	0.44			0.017		0.063

SOP8



DIMENSIONS						
REF.	mm			inch		
	MIN.	TYP.	MAX.	MIN.	TYP.	MAX.
A			1.75			0.0689
A1	0.1		0.25	0.0039		0.0098
A2	1.25			0.0492		
b	0.28		0.48	0.011		0.0189
c	0.17		0.23	0.0067		0.0091
ccc			0.1			0.0039
D	4.8	4.9	5	0.189	0.1929	0.1969
E	5.8	6	6.2	0.2283	0.2362	0.2411
E1	3.8	3.9	4	0.1496	0.1535	0.1575
e		1.27			0.05	
h	0.25		0.5	0.0098		0.0197
k	0		8	0		8
L	0.4		1.27	0.0157		0.05
L1		1.04			0.0409	