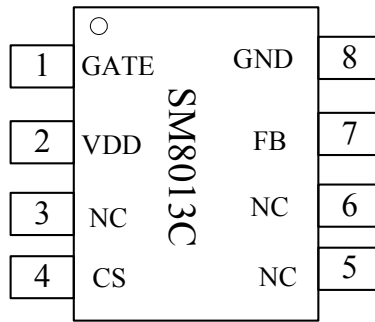


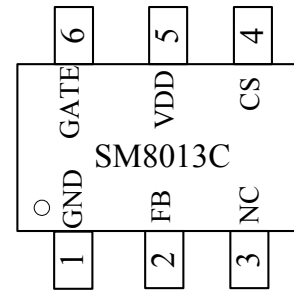
SM8013C

- ◆ 36W
- ◆ 0.3W@265VAC
- ◆ OCP
- ◆ Burst
- ◆ PFM PWM
- ◆ LEB
- ◆ VDD
- ◆ DIP8 SOP8 SOT23-6

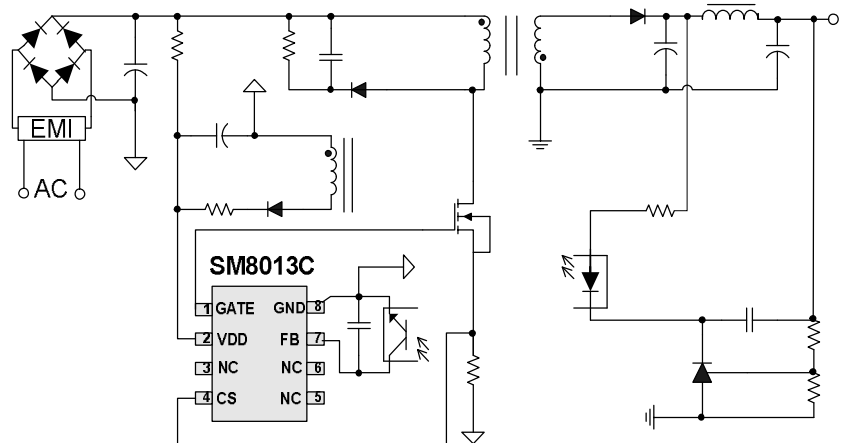
SM8013C	PWM	
MOS		Burst
PFM	PWM	<0.3W@265V
AC		
VDD	VDD	



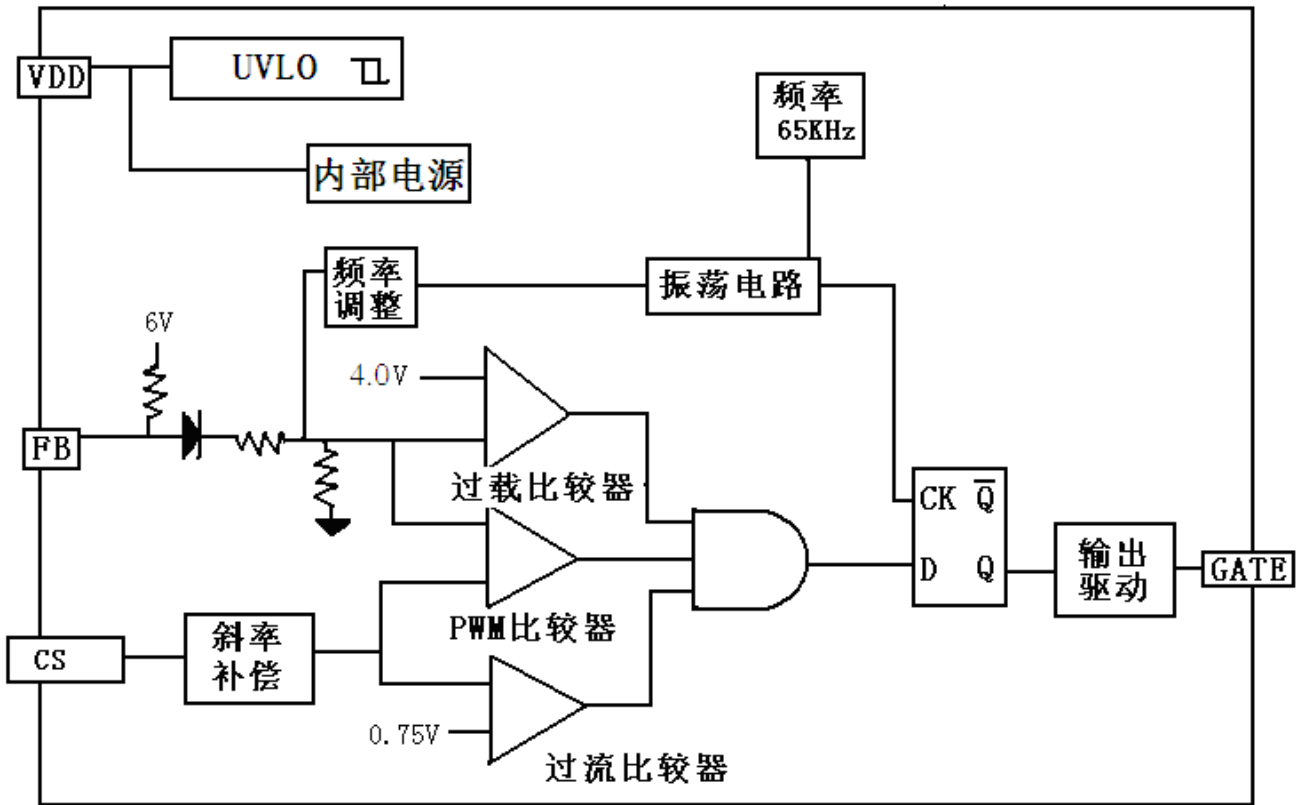
DIP8/SOP8



SOT23-6



- ◆ DVD DVB LCD TV
- ◆ PC
- ◆ LED



	DIP8/SOP8	SOT23-6	
	GATE	1	
VDD	2	5	
NC	3 5 6	3	
CS	4	4	
FB	7	2	, PWM FB SENSE
GND	8	1	

TA= 25

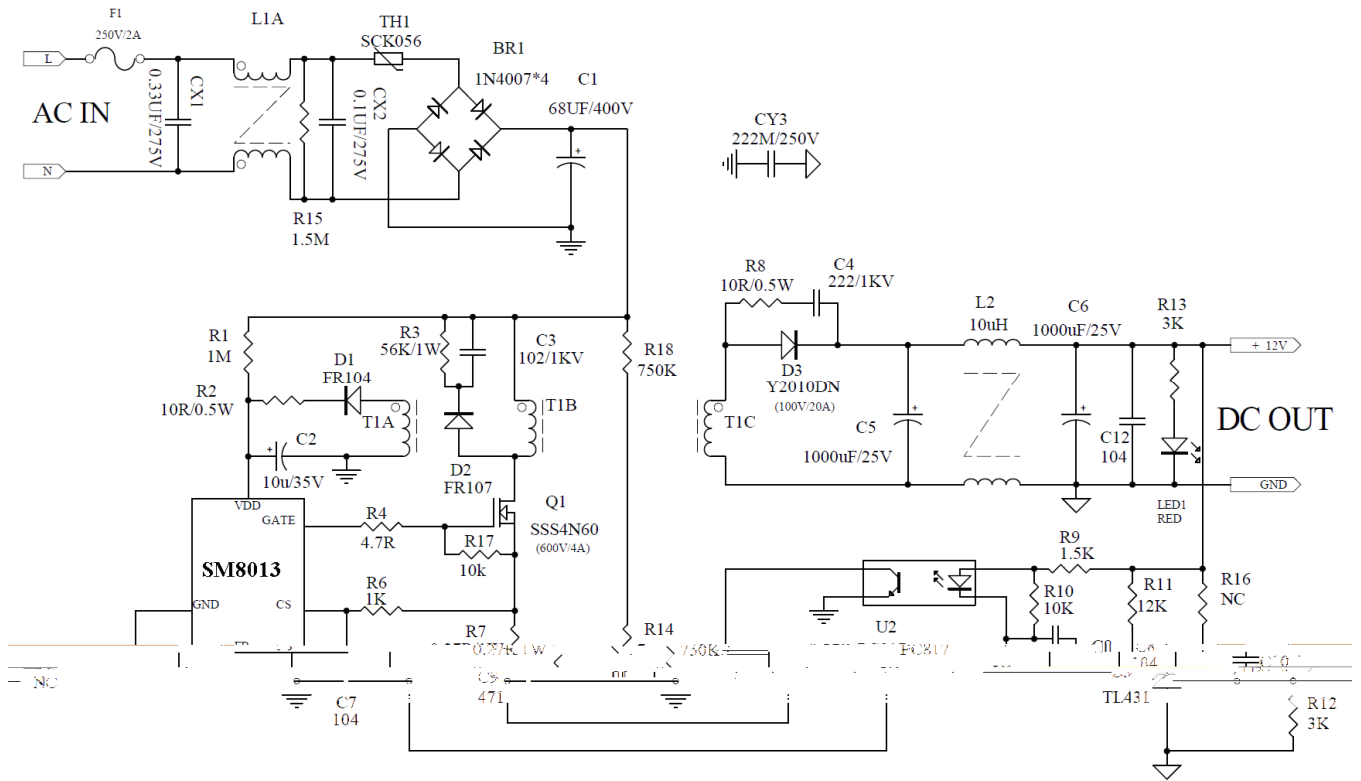
VDD		<35	V
IDDclamp		<10	mA
VFB	FB	0.3 7.0	V
T _{OP}		-20 85	
T _{stg}		-40 150	
V _{ESD}		>2000	V
R _{θja}		DIP8: 106	/W
		SOP8: 155	
		SOT23-6: 220	

(TA=25)

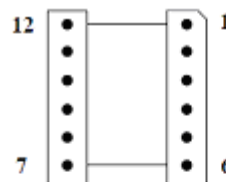
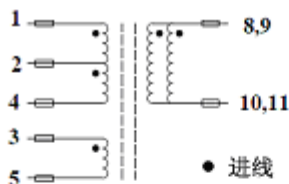
IDD _{start}		VDD 12V	-	5	25	μA
IDD _{op}		VDD 18V	-	2.5	-	mA
VDD _{close}	VDD		8.5	9.5	10.5	V
VDD _{start}	VDD		15.5	16.5	17.5	V
VDD _{OVp}	VDD		-	34	-	V
VDD _{clamp}	VDD	IDD 5mA	-	35	-	V
FB						
V _{FB(open)}	FB		-	6.0	-	V
I _{FB(short)}	FB		1.0	1.4	1.6	mA
V _{TH_BM}	Burst	VDD 18V	-	1.0	-	V
V _{TH_PL}		VDD 18V	-	4.0	-	V
CS						
V _{TH_OC}		V _{FB} 3.0V	0.68	0.75	0.80	V
F _{osc}		VDD =18V V _{FB} =3.0V	-	65	-	KHz
F _{osc burst}	Burst	VDD 18V	-	22	-	KHz
GATE						
V _{OL}		VDD 18V, I _o 20mA	-	-	0.8	V
V _{OH}		VDD 18V, I _o -20mA	10	-	-	V
V _{clamp}			-	18	-	V

- ◆ SM8013C PWM 36W
- ◆ SM8013C 25uA AC/DC 2MΩ 1/4W
- ◆ SM8013C Burst FB
- ◆ PWM 22KHz
- ◆ CS
- ◆ RC
- ◆ CS
- ◆ GATE
- ◆ GATE 18V MOSFET
- ◆ SM8013C OCP OLP OVP

◆ SM8013C 12V/3A

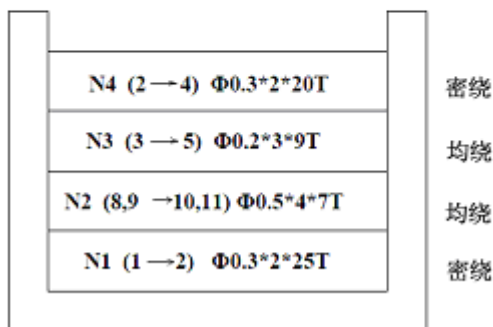


◆ SM8013C 12V/3A



底视图

注：N2 用0.5mm三层绝缘线并绕



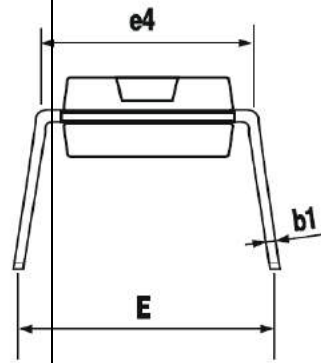
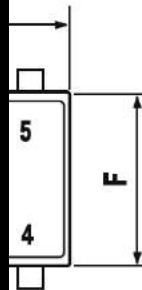
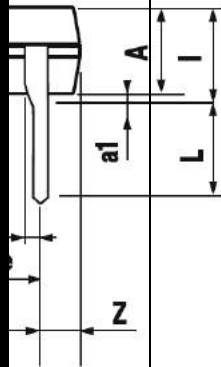
密绕
均绕
均绕
密绕

制做说明:

1、骨架EI28(6+6) 普通磁芯

2、电感量 : $L_p = 800\mu H$

- 3、初级对次级打3500VAC漏电流<2mA/60s
- 4、初级对磁芯打1500VAC漏电流<2mA/60s
- 5、次级对磁芯打1500VAC漏电流<2mA/60s
- 6、DC500V绕组与磁芯之间1min大于100M Ω
- 7、DC500V绕组与绕组之间1min大于100M Ω



DIMENSIONS

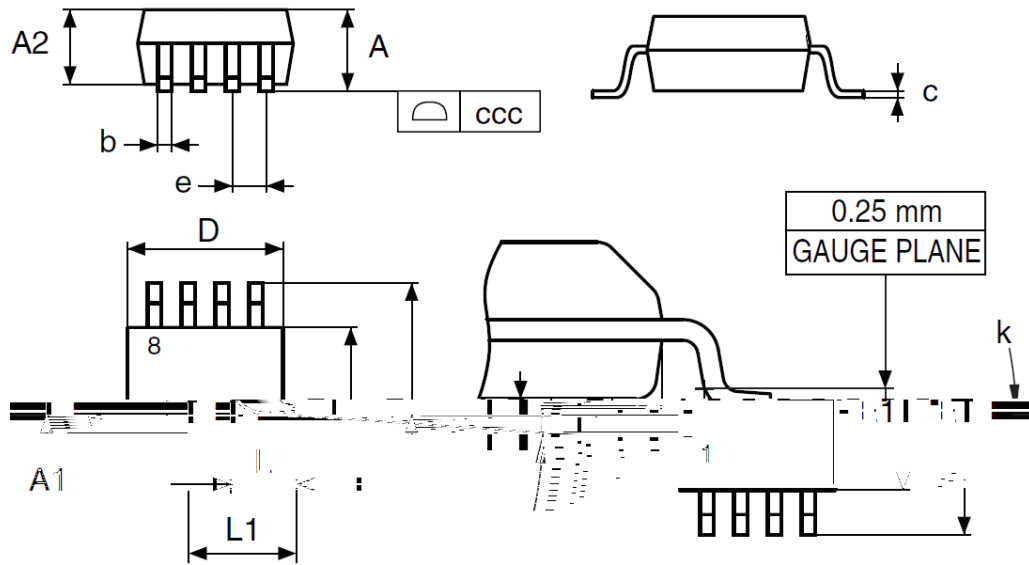
		inch	
MAX.	MIN.	TYP.	MAX.
		0.130	
	0.028		
1.65	0.055		0.065
1.04	0.036		0.041
		0.020	
0.5	0.015		0.020
9.4			0.370
		0.346	

0.100

e1

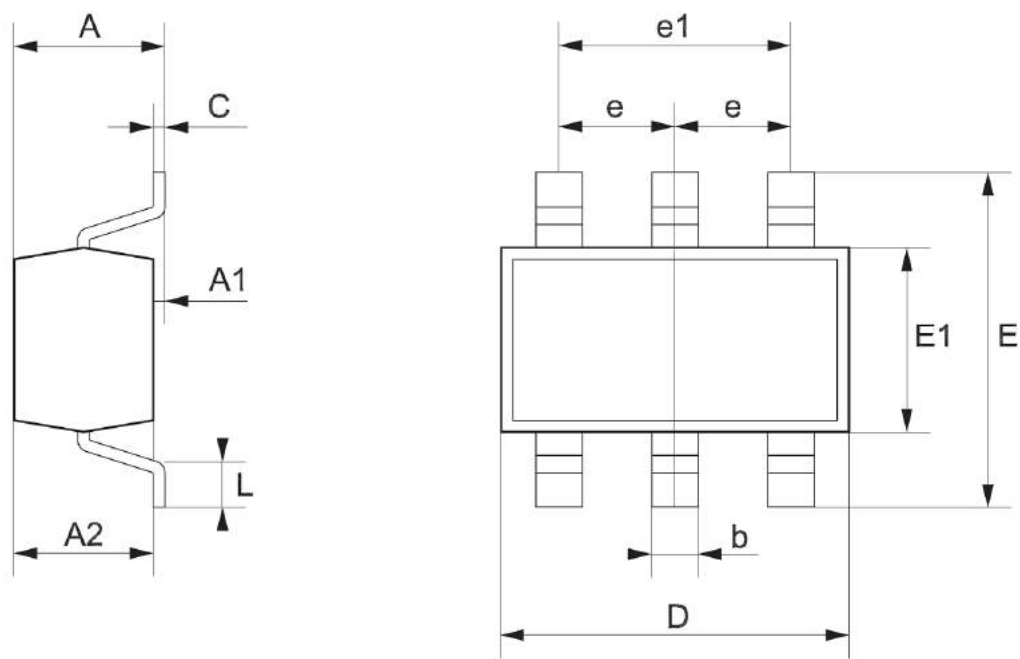
0.010

SOP8



DIMENSIONS						
REF.	mm			inch		
	MIN.	TYP.	MAX.	MIN.	TYP.	MAX.
A			1.75			0.0689
A1	0.1		0.25	0.0039		0.0098
A2	1.25			0.0492		
b	0.28		0.48	0.011		0.0189
c	0.17		0.23	0.0067		0.0091
ccc			0.1			0.0039
D	4.7	4.9	5.1	0.189	0.1929	0.1969
E	5.8	6	6.2	0.2283	0.2362	0.2411
E1	3.7	3.9	4.1	0.1496	0.1535	0.1575
e		1.27			0.05	
h	0.25		0.5	0.0098		0.0197
k	0		8	0		8
L	0.4		1.27	0.0157		0.05
L1		1.04			0.0409	

SOT23-6



DIMENSIONS						
REF.	mm			inch		
	MIN.	TYP.	MAX.	MIN.	TYP.	MAX.
A	0.90		1.45	0.354		0.571
A1	0.00		0.15	0.00		0.059
A2	0.90		1.30	0.354		0.512
b	0.35		0.50	0.137		0.197
C	0.09		0.20	0.035		0.078
D	2.80		3.00	1.102		1.1181
E	2.60		3.00	1.023		1.1181
E1	1.50		1.75	0.590		0.688
e		0.95			0.374	
e1		1.9			0.748	
L	0.35		0.55	0.137		0.216