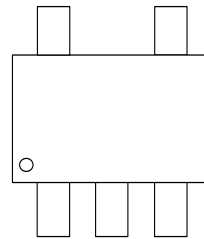
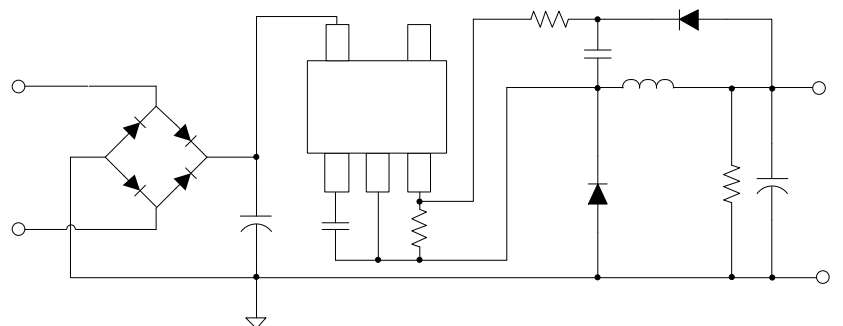
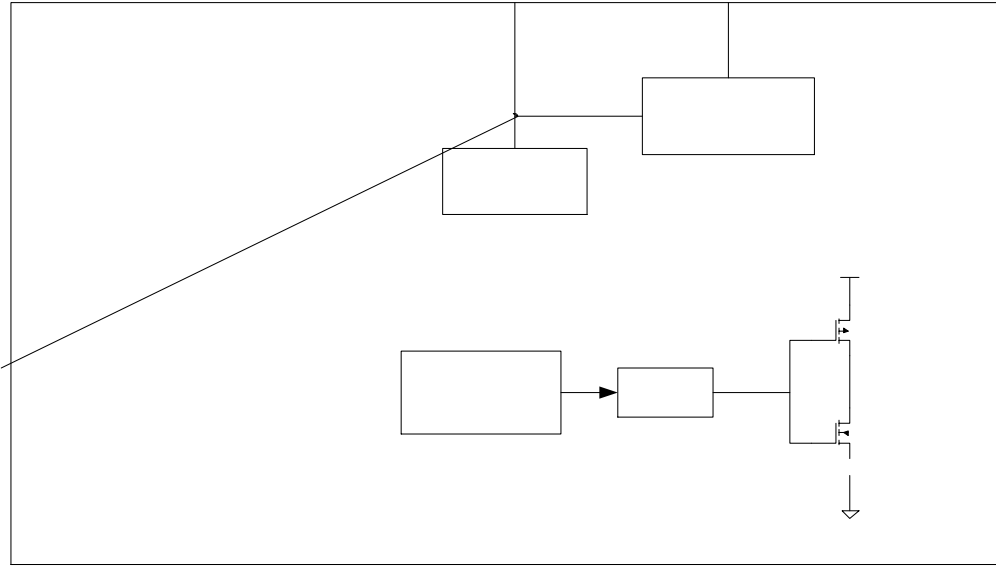


SM7035M







$$\frac{\quad}{+} = \frac{\quad}{\quad}$$

R_{FBL}

R_{FBH}

V_{OUT}

V_{FB_CV}

