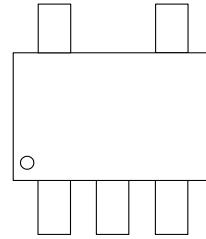
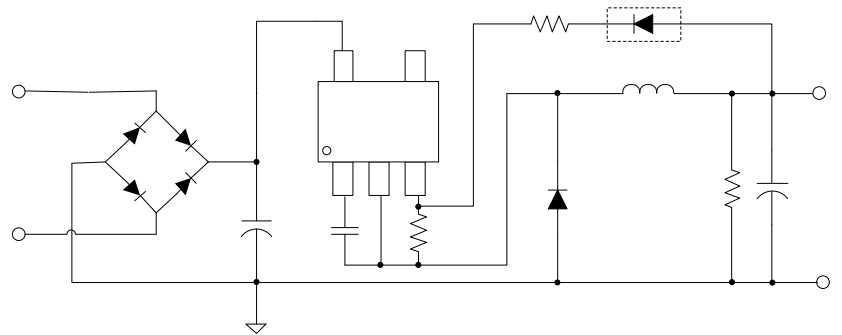
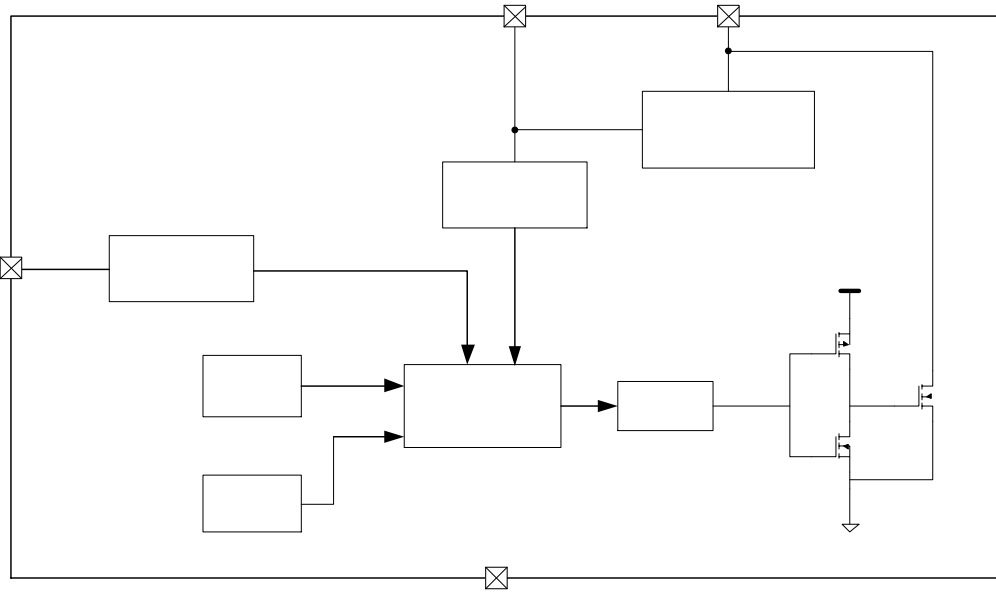


# SM7033M







1


4 5


$$\frac{\quad}{+} = \frac{\quad}{\quad}$$

$R_{FBL}$

$R_{FBH}$

$V_{OUT}$

$V_{FB - CV}$

